

# S-9

# Installation Instructions SUPPORT BOX

## SUPPORT BOX

The Selkirk Support Box (T-SB) is intended for use when installed in an A-frame, mobile home, or a ceiling under a narrow section of roof. (See figures 1 & 2)

**⚠ WARNING**

Failure to follow the installation instructions could cause **FIRE, CARBON MONOXIDE POISONING, OR DEATH**. If you are unsure of installation requirements, call the Phone Number listed on the instructions or visit [www.selkirkcorp.com](http://www.selkirkcorp.com).

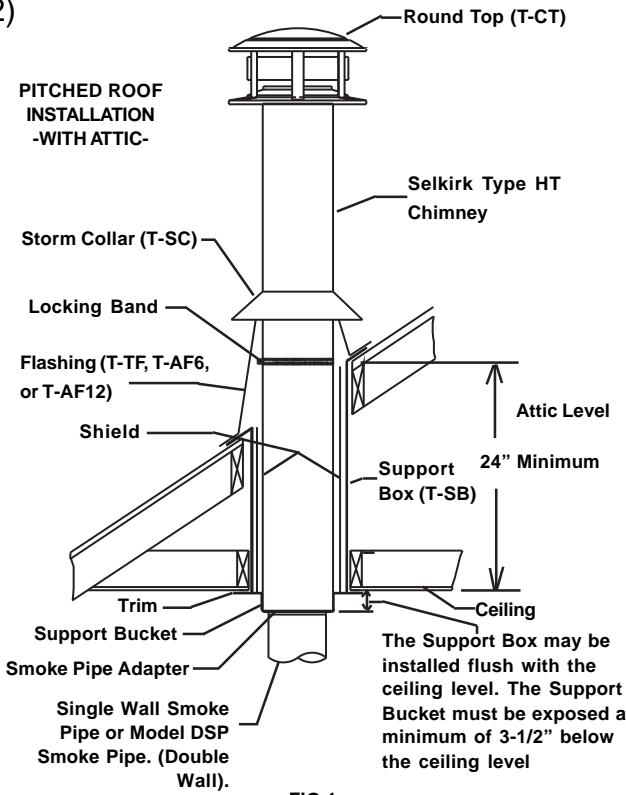


FIG 1

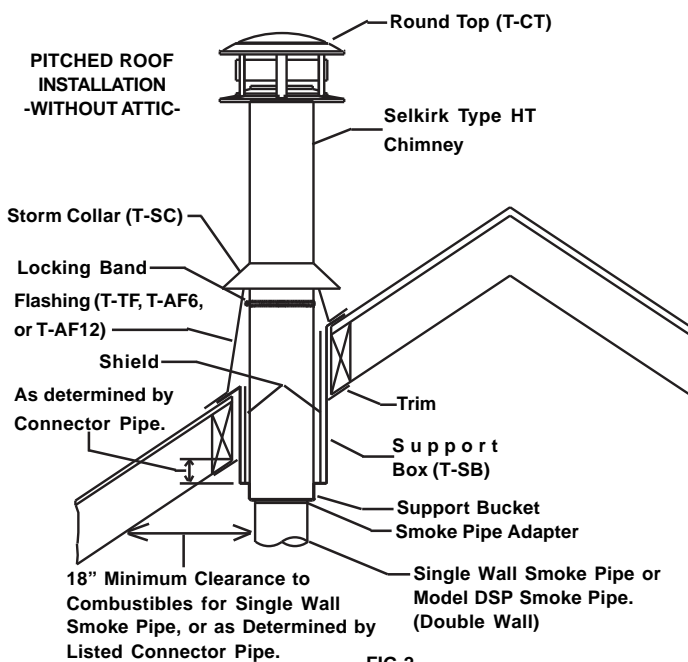


FIG 2

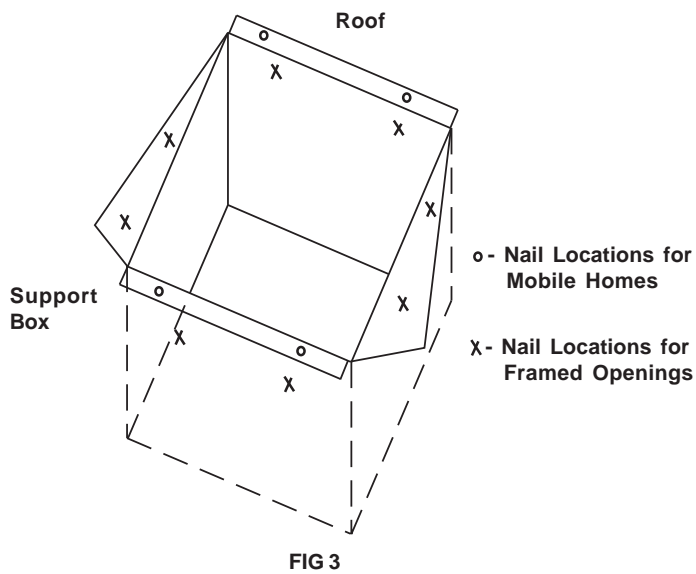
The Support Box assembly is made up of the following parts: a black box suitable for installation inside 16" centered joists, a cylindrical shield, support bucket, ceiling trim and 4-#8x3/8" screws.

The Support Box provides the following installation advantages:

- a) A finished installation at a ceiling level.
- b) The capability of supporting 20 feet of 6"-8" Selkirk chimney.
- c) When installed through an unoccupied attic space, it will provide shielding from insulation.

## INSTALLATION

- 1) The T-SB should be installed so that the support bucket extends a minimum of 3 1/2" below any ceiling level. (See FIG 1)
- 2) Any framed opening should provide framing on all four sides to maintain adequate support and a continuous nailing surface. Framing details are as follows:
  - a) Flat ceiling = 14 1/2" x 14 1/2" square.
  - b) Pitched ceiling = 14 1/2" x some dimension so as to create a rectangular framed opening suitable to accept the T-SB.
- 3) Slide the T-SB (box) into the framed opening(s) from the roof and temporarily nail to roof joist. NOTE: Position box flush or below the ceiling level, see (fig. 1 and 2). Using an awl or nail, scribe a line around the box at the roof level, and remove the box.



4) Cut the four corners of the marked box, using a pair of tin snips, down to the scribed line. Fold the shortest and sloped sides over to 90 degrees (at a right angle) creating three flanges to rest on the roof. The longest side of the box (above the scribed line) may be removed and discarded. NOTE: A MOBILE HOME INSTALLATION WILL REQUIRE THE FOURTH (LONGEST SIDE) FLANGE (FIG 3). Make sure that the roof flashing covers the flanges.

5) The box is set into the framed opening and nailed into the framing either through the flanges or through the box itself. Use a minimum of 8 - 1 1/2" long common nails to secure the box, see figure 3.

6) Slide the shield into the box and mark for cutting. The shield should finish a maximum of one inch (1") below the roof line and extend above the roof line as long as there is no interference with the roof flashing.

7) Once the shield has been modified to the correct height, slide the shield into the box so that the flanges of the shield rest on the plate section of the box. These spacers or flanges center the shield. The support bucket is then positioned into the hole of the box, so that the flange of the bucket sits over the shield flange.

8) With the support bucket holding the shield in place, attach a Selkirk Chimney System Dripless Smoke Pipe Adapter (TDSA or T-DSAC) to the female end of the first length of Selkirk chimney. Slide the adapter and chimney assembly into the support bucket. Secure the adapter to the support bucket by means of screwing the four #8 x 3/8" screws into the smoke pipe adapter, using the four holes provided in the support bucket.

9) Install your single wall smoke pipe to the adapter using a minimum of 3 sheet metal screws. Refer to the Selkirk Chimney System Sheet GS enclosed with this package for additional installation instructions and warnings.

If you are installing double wall smoke pipe follow the Manufacturer's installation instructions.

For a convenient and easy installation use Selkirk Selkirk Model DSP Double Wall Smoke Pipe.