

Selkirk Chimney Systems (USA Only - See separate instructions for Canada)

SHEET S-7

Installation Instructions

Covering - Firestop/ Joist Shield, Trim Plate, Pitched Ceiling Plate and Wall Thimble

Read Sheets GS and SCS for important clearance and safety precautions before installing any of the parts described by these Sheets. Sheets GS and SCS are packaged with Supports. These include the Ceiling Support, Wall Support, Insulated Tee and Anchor Plate. Sheet SCS is also packaged with Model UT, GT and ST insulated pipe and tee sections.



WARNING

Failure to follow the installation instructions could cause **FIRE, CARBON MONOXIDE POISONING, OR DEATH**. If you are unsure of installation requirements, call the Phone Number listed on the instructions or visit www.selkirkcorp.com

Selkirk Chimney System (SCS) Model UT, GT and ST require shielded firestops when passing through ceiling joist areas and wall thimbles when passing through walls.

FIRESTOP/JOIST SHIELD (PART NO. JS)

For all SCS Model UT, GT and ST ceiling joist penetrations below the roof (other than that in which a ceiling support is installed), the Firestop / Joist Shield (JS) must be installed. (Ceiling supports incorporate their own firestops so no supplemental firestopping is required.) The firestop performs the following essential functions for both the dwelling and the chimney.

1. Together with a fully framed opening (all four sides) it acts as a fire stop to control vertical and horizontal spread of any fire external to the chimney. (See additional comments on firestopping.)
2. It stabilizes the chimney in the framed opening and defines and maintains the required two inch AIR SPACE clearance to combustibles.
3. It provides supplemental shielding for joist areas.

INSTALLATION REQUIREMENTS

The Firestop/Joist Shield (JS) can be installed on the top or bottom of a joist area but is most effective as a firestop if installed beneath. As such, unless otherwise directed to do so, install Firestop /Joist Shield (JS) in the orientation shown in Fig. 1A with the plate to the bottom side and the shield extending up through opening (See Fig. 2).

To Install:

1. Frame a level square opening for 2 inches clearance from the outside of the chimney to the framing.

NOTE: If the ceiling is pitched, the JS needs to be installed on the top side and a level frame will need to be built to ensure the JS can be installed level and in a vertical orientation. (See Fig. 3A)

2. Place the Firestop/Joist Shield over the chimney and attach to the framed opening as shown in (See Fig. 2).
3. Nail side flanges into the framing.
4. If installed on top and the Firestop/Joist Shield is to be installed over the flooring, cut a square opening, then place it on top of the flooring, and nail for security.
5. Sub-flooring or finish floor can be placed over the Firestop/Joist Shield edges, provided that 2 inches clearance is maintained from the chimney pipe to the flooring.
6. If the framed opening is larger than necessary, the Firestop/Joist Shield outer edges must be extended by appropriate means (attaching metal plates, 26 gauge galvanized steel or heavier) to completely block the framed opening from any vertical air flow around the chimney.
7. Install the lengths of chimney as necessary to extend through the firestop, securing the joints with locking bands (provided) or three stainless steel sheet metal screws per joint. (See Sheet GS for screw option.)

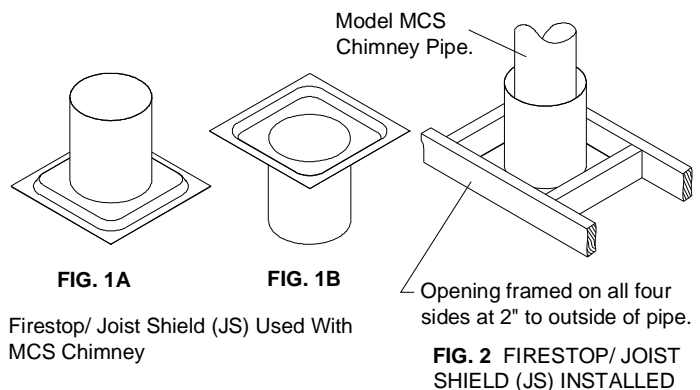
8. Continue with installation in accordance with the instructions for the other components, as applicable.

9. Enclose the chimney below the Firestop/Joist Shield to prevent any accidental contact with the chimney. Exception - Exposed portions of the chimney which extend into the room in which a freestanding appliance is installed should not be enclosed. In an attic, to prevent blown-in attic insulation from falling against the chimney, either use an Attic Insulation Shield (AIS) or a full enclosure.

THE FUNCTION OF FIRESTOPPING

The purpose of firestopping in a chimney system is to prevent or delay the rapid spread of fire (regardless of the cause) in a home or building. Properly installed, the sheet metal firestop prevents the chimney passageway from becoming an easy pathway for fire to spread from one floor to another.

IMPORTANT - Chimney Sizes 5", 6", 7", and 8" are Type HT.



Firestop/ Joist Shield (JS) Used With MCS Chimney

TRIM PLATE (PART NO. TPS) PITCHED CEILING PLATE (PART NO. PCP)

(Used at ceiling of equipment room only)

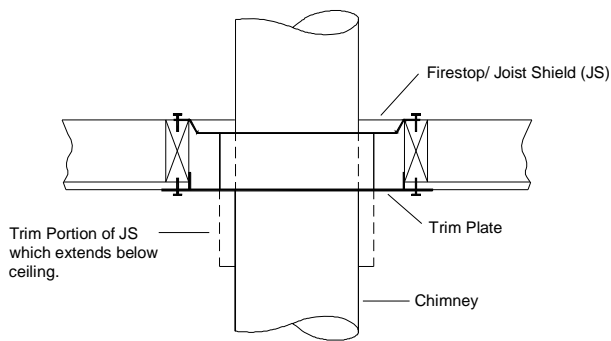
These parts provide for firestopping and a finished appearance for the ceiling opening when the chimney is extended down into the equipment room to a freestanding appliance. (See Figs. 3 and 3A) Use part TPS for flat ceiling installations and part PCP for pitched ceilings. A Firestop/Joist Shield (JS) is used on the top side of the opening in either case.

TPS/PCP installation with JS - The Firestop/Joist Shield (installed on the top side of the framed opening) requires trimming of the portion of the shield which extends beneath the ceiling before installing the TPS or PCP. (See Fig. 3 and Fig. 3A)

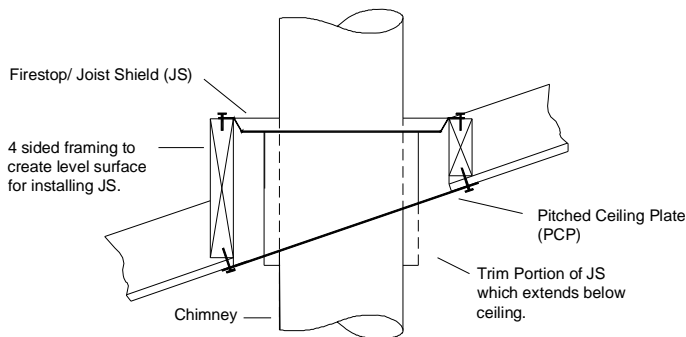
Note: If the ceiling is pitched, a level frame will need to be built to ensure the JS can be installed level and in a vertical orientation. (See Fig 3A)

To trim JS - after setting the JS in position on top of the opening (with open end down), mark a line around the perimeter of the shield at the elevation of the plane of the ceiling (flat or pitched). Use sheet metal shears to trim the portion of the shield beneath the marked line. The shield should now extend down through the framed opening in the ceiling and end flush with the ceiling surface as shown in Figs. 3 and 3A.

After extending the pipe down through the JS, install the TPS (or PCP if pitched ceiling) by sliding it up around the pipe until it is in contact with the ceiling. Secure the TPS/PCP with screws.



CROSS SECTION - JS IN FLAT CEILING
FIG. 3



CROSS SECTION - JS IN PITCHED CEILING
FIG. 3A

Wall Thimble

(Part No. WT / IWT)

A Wall Thimble (WT or IWT) must be installed in combustible Through the Wall installations of the Selkirk Chimney Systems (except Model SSII where its use is optional). Framing Dimensions are as follows:

- 11-1/8" x 11-1/8" for 5" diameter
- 12-1/8" x 12-1/8" for 6" diameter
- 13-1/8" x 13-1/8" for 7" diameter
- 14-1/8" x 14-1/8" for 8" diameter
- 16-1/8" x 16-1/8" for 10" diameter
- 18-1/8" x 18-1/8" for 12" diameter
- 20-1/8" x 20-1/8" for 14" diameter

Installation Requirements

1. Verify Thimble opening is appropriate for diameter of pipe being used.
2. Frame a level, square opening to the appropriate size as noted above.
3. Insert the two halves from opposite sides of the wall. (See Figure 4). The half which incorporates the black and/or round painted face plate, is for the interior side of the wall.
4. Engage the shields together until a snug fit is achieved. Level the face plates of the thimble with respect to the opening.
5. Attach the face plates to the wall using screws through the predrilled holes found at each corner.
6. Seal around the perimeter of the Wall Thimble's face plate (on exterior side) with an RTV Silicone Sealant to prevent any rain infiltration. (See Fig. 5)
7. Proceed with installation of Wall Support and chimney as described in Sheet S5.

NOTE:

(1) The Wall Thimble accommodates wall thickness of 6" to 11". If a larger range is needed due to a thicker wall, it is permissible to field fabricate a metal sleeve extension and rivet or screw it to the shields.

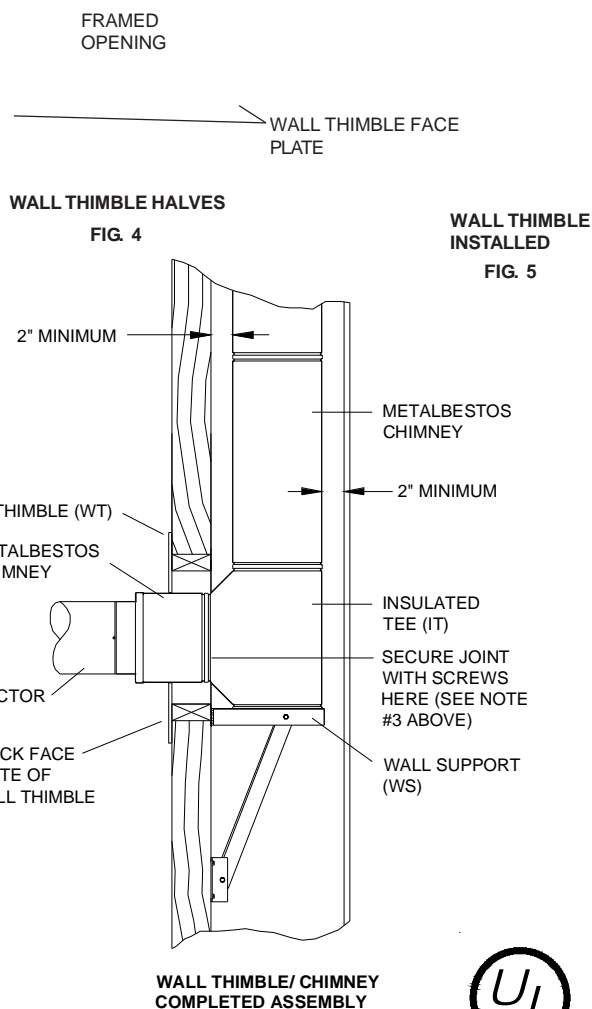
(2) 5" through 10" (IWT) Wall Thimbles come with one square and one round faceplate and a piece of insulation to insulate the round faceplate, while the 12" and 14" (WT) come with two square faceplates and no insulation. The round and or painted faceplate, goes on the interior side of the wall. (See Fig. 4 and Fig. 6)

(3) Install Thimble before installing Wall Support Kit and Chimney.

(4) **IMPORTANT:** Due to limited space, Locking Band cannot be used to join the horizontal section passing through Wall Thimble (WT) to snout of Tee. Three #8 x 1/2" Stainless Steel screws should be used. (See Fig. 6 below and Fig. 8 of Sheet GS.)

INSULATION FOR
IWT 5" - 10" ROUND
FACEPLATE ON
INTERIOR WALL

SEAL WITH RTV
SILICONE SEALANT
ON EXTERIOR SIDE
HERE (AROUND
PERIMETER)



WALL THIMBLE/ CHIMNEY
COMPLETED ASSEMBLY

FIG. 6

