



# Universal Interior Resupport Assembly (UIRA) Installation Instructions.

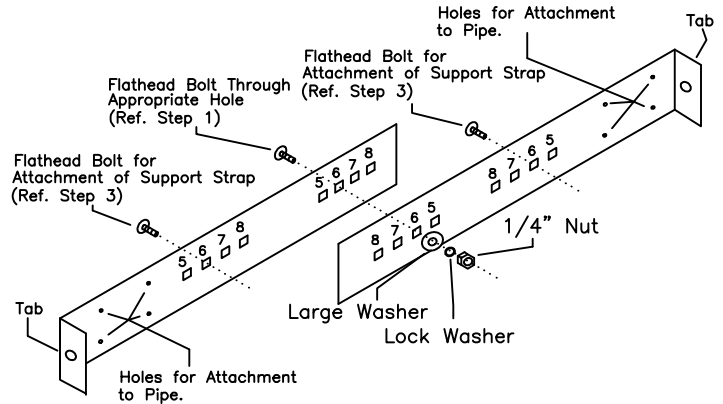
Selkirk Chimney parts are Listed and produced under the Factory Inspection and Follow-up program of Underwriters' Laboratories, Inc. and carry the LISTING MARK illustrated here.



**CAUTION: WEAR CUT RESISTANT GLOVES WHILE HANDLING METAL PARTS TO AVOID PERSONAL INJURY. SHARP EDGES OR PROJECTIONS CAN CUT YOU.**

Read the following instructions in their entirety before assembling and installing. Refer to the main Selkirk Installation Instructions for further information on the installation of Selkirk Chimney Systems.

The Universal Interior Resupport Assembly (UIRA) is designed to provide support above an offset/elbow and an additional 18'ft. of re-support to the main support system. It accommodates 5" through 8" diameter Selkirkz Chimney.



Universal Wall Band  
(Fasteners oriented for 6" system)

To Install:

1. Place the two halves of the UIRA Band as shown in Fig. 1. Insert flat head bolts through the holes marked with the diameter of the chimney being installed. (Ex. - for a 6" chimney, place the flathead bolts through the holes marked 6".) The flat head of the bolt should be oriented opposite the direction the formed tabs are pointed. Secure the center bolt with washers and nut. (See Fig. 1)
2. Form the Band into a circle as shown in Fig. 2 and loosely connect tabs using the nut and bolt indicated.
3. Attach the band to the Support Straps using 2 flat head bolts (1 per strap) and nuts. The bolts should pass through the holes of the band corresponding to the pipe diameter. (See Fig. 1)
4. Determine the location at which the assembly will be installed. (Make sure the structure to which the straps are attached is structurally sound and capable of providing adequate support for the weight of the pipe).
5. Place assembly around the length of pipe and tighten tabs with the screw and nut referenced in Fig. 2.
6. Secure length of pipe to assembly by using two 1/8"x1/2" stainless steel screws (provided) through two of the small attachment holes of the Universal Band, shown in Fig. 1.
7. Attach Support Straps to structure with screws or nails through top or sides of framing members. (See Fig. 3)
8. Add lengths of pipe as needed.

Fig 1

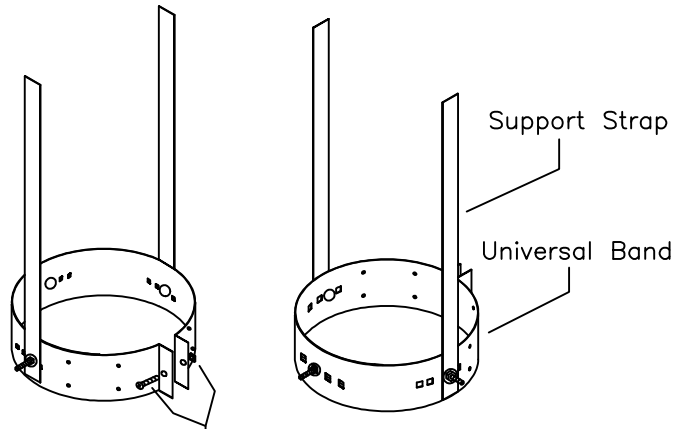
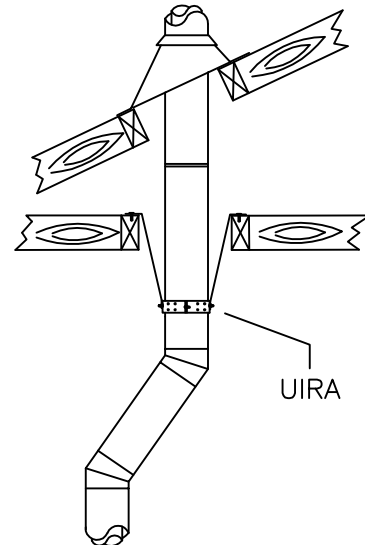


Fig 2

1/4" x 2" ss  
screw and nut  
through tabs

Fig 2A



Support above an Elbow

Fig 3

NOTE: See Sheet S5 for additional information concerning the proper use of elbows with Selkirk Chimney System.

