




Universal Roof Support Assembly (URSA) Installation Instructions.

Selkirk Chimney parts are Listed and produced under the Factory Inspection and Follow-up program of Underwriters' Laboratories, Inc. and carry the LISTING MARK illustrated here. 

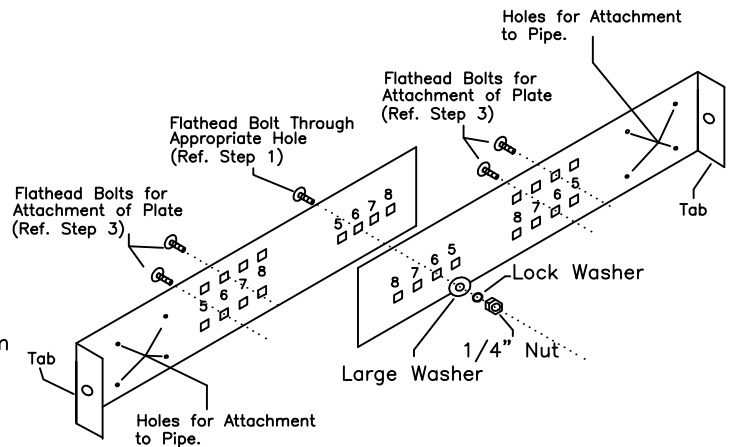
CAUTION: WEAR CUT RESISTANT GLOVES WHILE HANDLING METAL PARTS TO AVOID PERSONAL INJURY. SHARP EDGES OR PROJECTIONS CAN CUT YOU.

Read the following instructions in their entirety before assembling and installing. Refer to the main Selkirk Chimney System Installation Instructions for further information on installation of Selkirk Chimney.

The Universal Roof Support Assembly (URSA) is designed to provide support above freestanding fireplace and open cathedral ceiling installations. It accommodates 5" through 8" diameter Selkirk Chimney. Maximum length of chimney which can be suspended below the support is 20'ft. Maximum total chimney length which can be supported is 30'ft.

To Install:

1. Place the two halves of the URSA Band as shown in Fig. 1. Insert flat head bolts through the holes marked with the diameter of the chimney being installed. (Ex. - for a 6" chimney, place the flathead bolts through the holes marked 6".) The flat head of the bolt should be oriented opposite the direction the formed tabs are pointed. Secure the center bolt with washers and nut (See Fig. 1)
2. Form the Band into a circle as shown in Fig. 2 and loosely connect tabs using the nut and bolt indicated.
3. Attach the band to the Support Plates using 4 flat head bolts (2 per strap) washers and nuts. The bolts should pass through the holes of the band corresponding to the pipe diameter and secured loosely. (See Fig. 1)
4. Place assembly around the length of pipe and loosely tighten the tabs with the screw and nut referenced in Fig. 2. Move the assembly to the desired height location on the pipe. Firmly tighten bolt and nut to secure the band around the pipe.
5. Secure length of pipe to assembly by using two 1/8" x 1/2" stainless steel screws (provided) through two of the small attachment holes of the Universal Band shown in Fig. 1.
6. Determine the location at the roof where the assembly will be installed. Cut an opening in the roof and frame all around to ensure good distribution of weight load. Be sure to allow for a minimum 2" airspace clearance to combustibles, as shown in Fig. 3. Reference the main Metalbestos Chimney Installation Instructions(Sheet GS) for frame specifications and other details.
7. Center the assembly in the opening. Adjust Plates to the pitch of the roof and tighten the nuts.(See Fig. 3)
8. Install six screws per plate with the innermost going into rafters or headers.
9. Add lengths of pipe as necessary, above and /or below.
10. Complete the installation of the Flashing, Storm Collar and Round Top by following instructions provided with these accessories.



Universal Wall Band (Wide)
Fig. 1

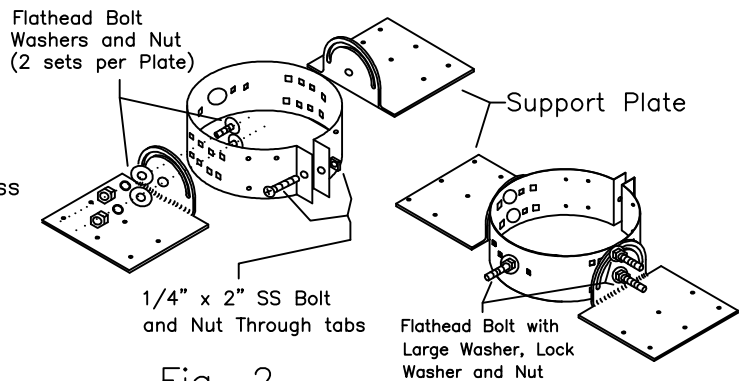


Fig. 2

Fig. 2A

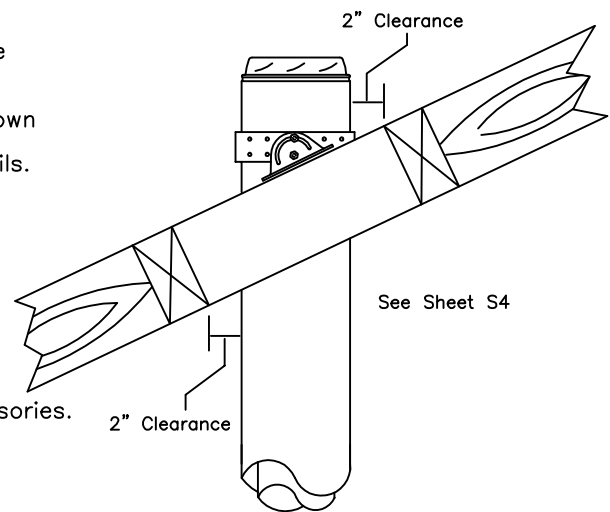


Fig. 3

NOTE: For additional necessary information on installing the URSA reference sheet S4 Installation Instructions.

URSA #0015148