

READ INSTRUCTIONS CAREFULLY BEFORE STARTING THE PROJECT. REMEMBER THAT SAFETY COMES FIRST. OUR CHIMNEY SYSTEMS ARE DESIGNED FOR INSTALLATION BY A QUALIFIED PERSON IN ACCORDANCE WITH LOCAL BUILDING CODES.

CAUTION: WEAR CUT RESISTANT GLOVES WHILE HANDLING METAL PARTS TO AVOID PERSONAL INJURY. SHARP EDGES OR PROJECTIONS CAN CUT YOU.

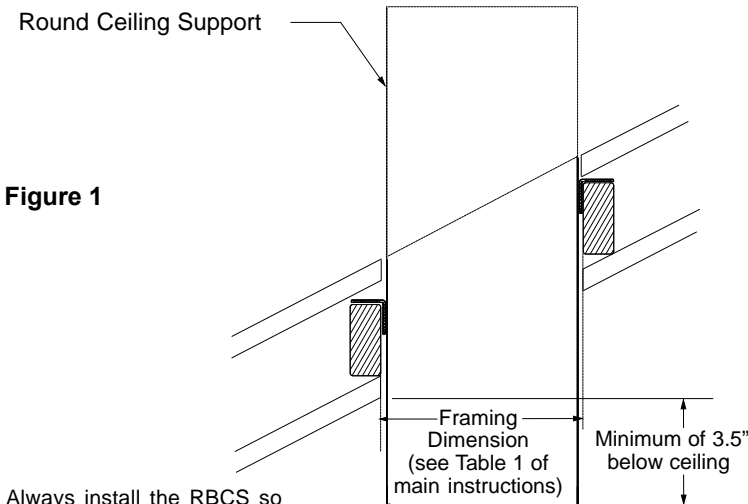


LISTED

Tested to: UL 103 HT, ULC-S629, ULC-S604 and ULC-S610

This is to confirm that the Round Ceiling Support (RBCS) referenced in the main, UltimateONE installation instructions has been modified to eliminate the lower "bucket" referenced in Figs 9b, 10 and other locations in the main instructions.

This instruction addendum is intended to cover the installation of this new style RBCS until such time as the main instructions are reprinted with these revisions incorporated.



Always install the RBCS so that it hangs a minimum of 3.5" (86 mm) down below the finished ceiling level - including flat ceiling.

To install the new style RBCS:

Follow the same instructions found in the main instructions but with the following exceptions / clarifications.

1. On a flat (horizontal) ceiling, always install the RBCS so that it hangs a minimum of 3.5" (86 mm) down below the finished ceiling level (see Figures 1 and 2).
2. On a sloped ceiling, the horizontal distance between the edge of the opening (for the connector pipe to enter) in the bottom of the support and the low side of the sloped ceiling will need to be:
 - a. a minimum of 18" (457mm) if a single wall connector system is used
 - b. a minimum distance that matches the minimum clearance to combustibles distance specified in the installation instructions and on the product label if a listed, double wall connector system is used.

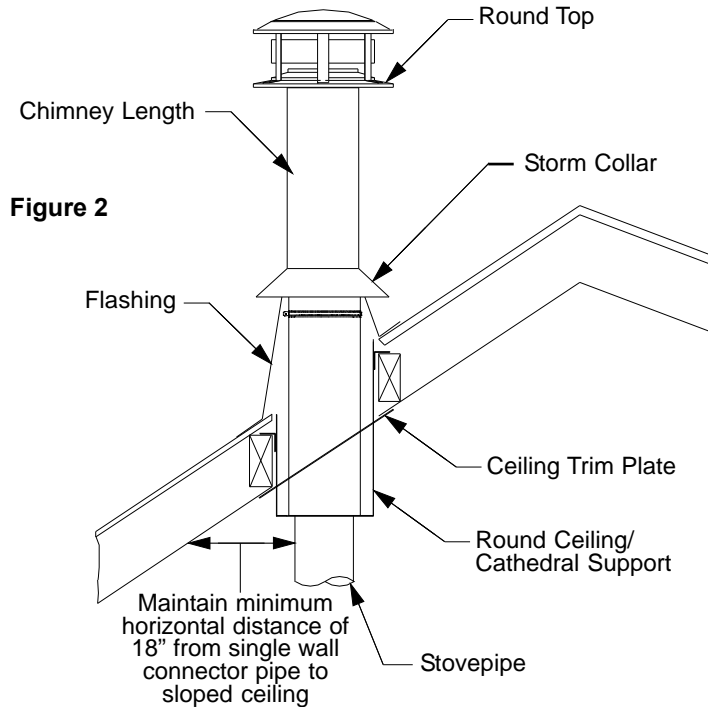


Figure 2

3. Install the Smoke Pipe Adapter (see Figure 3) on the inlet end of a Chimney Length before lowering into Round Ceiling Support. Follow separate instructions packaged with Smoke Pipe Adapter.



Figure 3

4. Continue with installation per main installation instructions.

Keep this document with the main instructions and retain in a safe place since the main instructions contain important maintenance instructions!

If you have any questions concerning the installation of the Ultimate ONE chimney system call 1.888.SELKIRK (735.5475).