

READ INSTRUCTIONS CAREFULLY BEFORE STARTING THE PROJECT. REMEMBER THAT SAFETY COMES FIRST. OUR CHIMNEY SYSTEMS ARE DESIGNED FOR INSTALLATION BY A QUALIFIED PERSON IN ACCORDANCE WITH LOCAL BUILDING CODES.

Refer to main instructions or appropriate reference sheets packaged with support, Insulated Wall Thimble, Wall Band, Round Top, and Flashing.

The Extended Wall Support (Figure 1) allows for an adjustment up to 12 inches from a vertical wall to pass by a 12" overhang. It is designed to support up to 28 feet of chimney above the Insulated Tee (see Table 1).

TABLE 1 - MAXIMUM SUPPORT CAPACITY

Chimney Diameter - 6"	28 feet (8.5 m)
Chimney Diameter - 7"	25 feet (7.6 m)
Chimney Diameter - 8"	20 feet (6.1 m)

The Support Band is shipped pre-assembled for use on a 6" diameter Insulated Chimney Length. For 7" and 8" diameters relocate the elevator bolts to different holes to create the necessary larger diameter band. Form the band into a circle and loosely connect tabs using the supplied 2" bolt and nut.

1. Orient the band as shown in Figure 1, then (from the inside) insert an elevator bolt (one on each side) through the band (at points half way across the formed band).

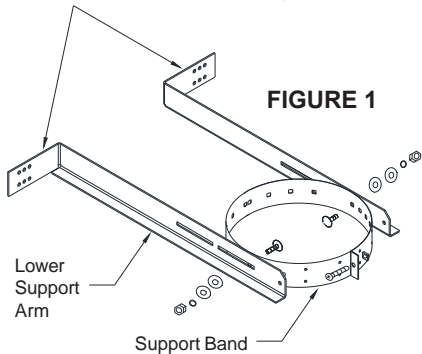
2. Attach the lower support arms to the band by placing one lower support arm (oriented as shown) on each side of the band, guiding the elevator bolts through the slots (so that the band is situated at the desired distance from the wall), and securing with 2 flat washers, 1 lock washer and nut per side.

3. Orient the Upper Support Arms as shown in Figure 2 and secure them to the lower support arms with bolts, washers and nuts at location indicated.

4. Secure Upper Support Arm brackets to Upper Support Arms as shown with bolts, washers and nuts.

The completed Extended Wall Support assembly should now look like Figure 2. Snug up all fasteners but allow for some adjustability.

Secure to wall with two (2) 1/4" x 2" Lag Bolts per side.



5. Determine the location at which the assembly will be installed. Make sure the wall to which the Lower and Upper Arm Brackets will be attached is structurally sound, capable of providing adequate anchoring capacity for lag bolts and bearing the weight of the pipe.

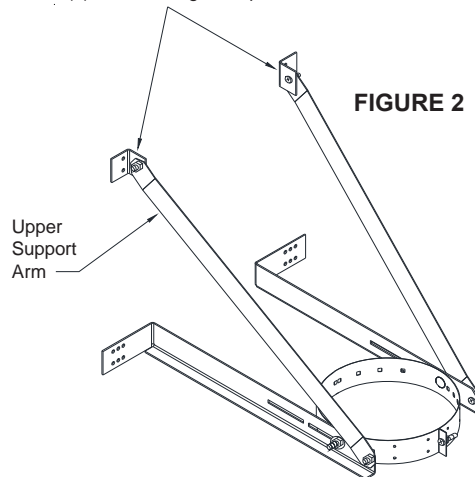
NOTE: The (horizontal) Chimney Length used to penetrate through the wall must extend at least 3-1/2" into the room.

ATTENTION: Install the exterior portion of the Insulated Wall Thimble before installing the Extended Wall Support.

6. Attach an appropriate insulated chimney length to the horizontal branch (inlet) of the Insulated Tee. Secure the chimney length to the branch of the tee with the supplied Locking Band. Ensure that the latch of the Locking Band is facing down to prevent any water from collecting in the Locking Band.

7. From outside, slide the assembly (Chimney Length installed on the Tee Branch) through the Wall Thimble ensuring the male coupling on the Tee is facing upward. The Wall Thimble will assist in supporting the assembly until you are ready to install the Extended Wall Support.

Upper Support Arm Brackets Secure to wall with two (2) 1/4" x 2" Lag Bolts per side



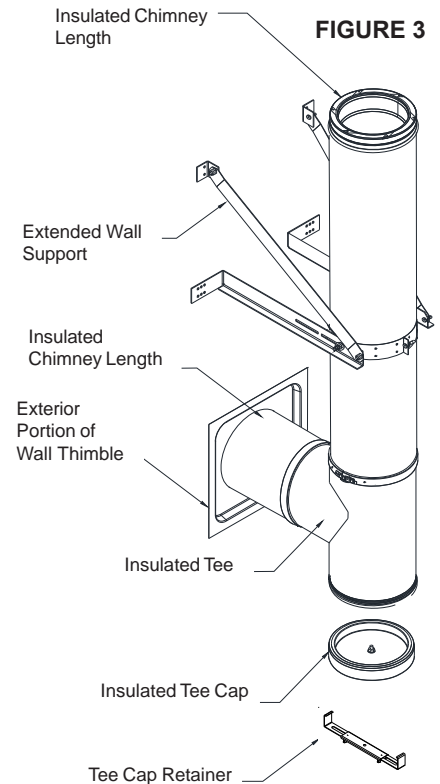
8. The Extended Wall Support assembly should be installed on the first vertical chimney length above the Insulated Tee (see Figure 3). Do so by loosening the bolt securing the tabs on the Support Band until the diameter is sufficiently large to accommodate the insulated chimney length within. Tighten the Support Band bolts just enough to hold the Extended Wall Support in place. Place pipe on outlet of tee and secure with locking band.

The assembly should now be oriented as shown in Figure 3.

9. Orient the Lower Support Arms horizontally and secure them to the external wall by using two (2) 1/4" x 2" lag bolts per sides. Install the Upper Support Arm brackets on the external wall using four (4) 1/4" x 2" lag bolts (2 per sides).

NOTE: Ensure that all lag bolts are anchored to structural members; not just to the wall sheathing.

10. Adjust as necessary to insure everything is positioned correctly, then secure the support band around the pipe by tightening the securing bolt (from step 8), then using two 1/8" x 1/2" stainless steel screws through two of the small holes of the Universal Band and into the pipe. Seal screws with silicone sealant. Tighten all other fasteners.



11. Secure the Insulated Tee Cap with the Universal Tee Cap Retainer Kit. This kit contains a series of sliding brackets with slots in the brackets to accommodate different diameters. It is used when the Insulated Tee is supported by the Extended Wall Support.

NOTE: In some applications extending below the tee may be necessary. Check with local authorities for any restrictions.