

4VP

**STAINLESS
STEEL
FLEXIBLE
LINER KIT**

**INSTALLATION
INSTRUCTIONS**

PELLET FIREPLACE INSERT APPLICATION ONLY

**IT IS OF THE UTMOST IMPORTANCE THAT THIS
CHIMNEY LINER KIT BE INSTALLED ONLY IN
ACCORDANCE WITH THESE INSTRUCTIONS**



**LISTED TO UL-641 and C441 for
Low Temperature Gas and Pellet Venting Systems**

**PLEASE READ ALL INSTRUCTIONS BEFORE
BEGINNING YOUR INSTALLATION. FAILURE TO
INSTALL THIS SYSTEM IN ACCORDANCE WITH THESE
INSTRUCTIONS WILL VOID THE CONDITION OF
CERTIFICATION AND THE MANUFACTURERS
WARRANTY. KEEP THESE INSTRUCTIONS IN A SAFE
PLACE FOR FUTURE USE.**

Selkirk Corporation
5030 Corporate Exchange Blvd. SE
Grand Rapids, MI 49512
Toll Free: 1.800.992.VENT (8368)
info@selkirkcorp.com



Selkirk Canada Corporation
P. O. Box 526, Depot 1
Hamilton, ON L8L 7X6
Toll Free: 1.888.SELKIRK (735.5475)
info@selkirkcanada.com

WARNING!

RTV SILICONE MUST BE PURCHASED SEPARATELY.

**RTV SILICONE IS REQUIRED FOR THE
INSTALLATION OF YOUR 4VP CHIMNEY LINER .
SEE SECTIONS 12.2; 13.1; 13.3 OF THESE INSTRUCTIONS**

For Installation into Masonry Chimneys

READ INSTRUCTIONS CAREFULLY BEFORE STARTING THE PROJECTS. REMEMBER THAT SAFETY COMES FIRST. OUR MODEL 4VP-FK CHIMNEY LINER SYSTEM IS DESIGNED FOR INSTALLATION BY A QUALIFIED PERSON IN ACCORDANCE WITH LOCAL BUILDING CODES.

IMPORTANT

YOUR 4VP CHIMNEY LINER HAS BEEN TESTED, AND LISTED USING ALL THE SUPPORTS AND COMPONENTS DESCRIBED HEREIN. DELETION OR MODIFICATION OF ANY OF THE REQUIRED PARTS OR MATERIALS MAY SERIOUSLY IMPAIR THE SAFETY OF YOUR INSTALLATION, AND VOID THE CONDITIONS OF CERTIFICATION AND/OR WARRANTY OF YOUR VP LINER KIT.

1.0 TYPE OF APPLIANCE

Your 4VP Chimney Liner Kit may be used only for venting a Listed Pellet Burning Fireplace Insert in which the maximum continuous flue gas outlet temperatures do not exceed 570° F ((282° C).

WARNING! Failure to follow the Installation Instructions could cause FIRE, CARBON MONOXIDE POISONING, OR DEATH. If you are unsure of installation requirements, call the Phone Number listed on the front of these Instructions.

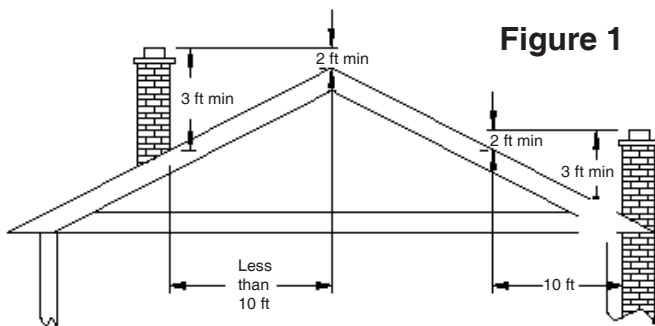
2.0 PRE-INSTALLATION GUIDELINES

.1 Ensure your installation will conform with all federal and municipal building code requirements. Before commencing installation, CONTACT LOCAL BUILDING OR FIRE OFFICIALS ABOUT RESTRICTIONS AND INSTALLATION IN YOUR AREA. Obtain any necessary building permits.

.2 Authorities require that the masonry chimney extend not less than three feet above the highest point where it passes through the roof of a building and not less than two feet above any portion of the building within ten feet (see Figure 1).

.3 Consult the appliance manufacturer's installation instructions regarding the maximum venting run allowed and any other type and limitations applicable to the appliance being installed.

.4 UNDER NO CIRCUMSTANCES should a pellet burning insert be connected into the same vent system as any other type of appliance.



3.0 CLEARANCE FOR INSTALLATION

.1 For an exterior masonry chimney, this liner is to be installed with a minimum clearance of 1/2 inch air space between combustible materials and the chimney exterior.

.2 For an interior masonry chimney, this liner is to be installed with a minimum clearance of 2 inch air space between combustible materials and the chimney exterior. The liner must also be installed with a mini-

imum clearance of 1 inch air space between the liner and the masonry chimney.

.3 Do not fill the air space between the liner and the chimney with loose fill insulation or cement.

4.0 LINER KIT COMPONENTS

Packaged with your 4VP Flexible Kit are the following components:

- *25 or 35 ft - Stainless steel flexible liner in 4" dia.
- 1 - Increaser 3" to 4"
- 1 - 3" Pipe Connector
- 1 - 4" Flex Connector
- 1 - 4" Flashing/Support
- 1 - 4" Flashing Connector
- 1 - 4" Termination Cap
- 2 - Packages of Screws

5.0 CHIMNEY INSPECTION AND CLEANING

.1 Make sure the masonry chimney is sound in construction, clean and free from all loose and potentially flammable debris. If you find any cracked, loose or missing bricks or tiles, have them repaired or replaced.

.2 Before the installation of the liner, it is recommended that the chimney be cleaned by a certified chimney sweep.

.3 Since chimneys are usually very sooty and dusty, it is advisable to remove or cover your furniture, rugs etc. for the duration of the cleaning and installation of the liner.

6.0 PREPARING FOR THE INSERT

.1 Follow the Installation Instructions from the manufacturer of the insert. Before installing the venting system, ensure that the damper plate is locked into the open position and secured or removed to prevent any damage to the liner.

.2 Slide the Pipe Connector over the insert flue collar and attach with a minimum of two screws. A drill with 3/32" bit may be used to drill through the Pipe Connector and into the flue collar.

NOTE: Refer to the Installation Instructions of the appliance manufacturer to determine limitations and requirements such as removal of the rear shield for fastening Vent Connector.

7.0 PREPARING TOP OF CHIMNEY

Your chimney may have a clay-tile liner which protrudes above the brick chimney. There is no need to remove the top portion of the clay tile liner if it is in good condition. You may want at this time to do any repairs to the chimney crown if any cracks or

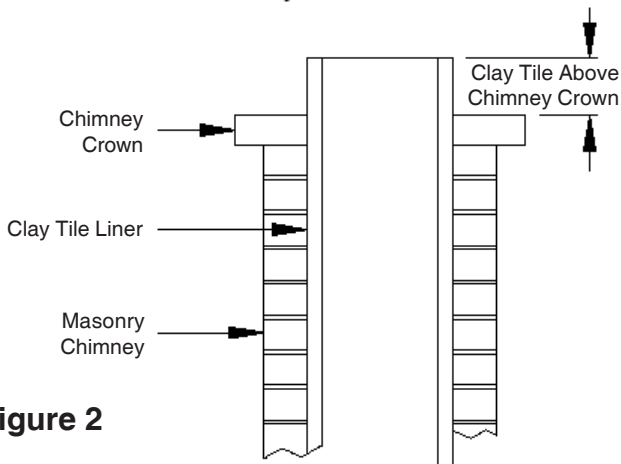


Figure 2

Remove Clay Tile Above Chimney Crown If Damage is Evident deterioration is showing. Once the repairs are done follow the section for flashing/support installations. If on the other hand the clay tile liner is not in good condition, you will need to make it flush by chipping away at the excess with a hammer and cold chisel. Make sure that pieces of the clay tile liner don't fall into the flue. When you have finished making the top of the chimney flush, fill in any cracks and uneven surfaces with mortar.

8.0 DETERMINING LINER LENGTH

Determine the required length of the liner by dropping a weighted line down the chimney and taking the measurement at the center of the appliance flue outlet (see Figure 3).

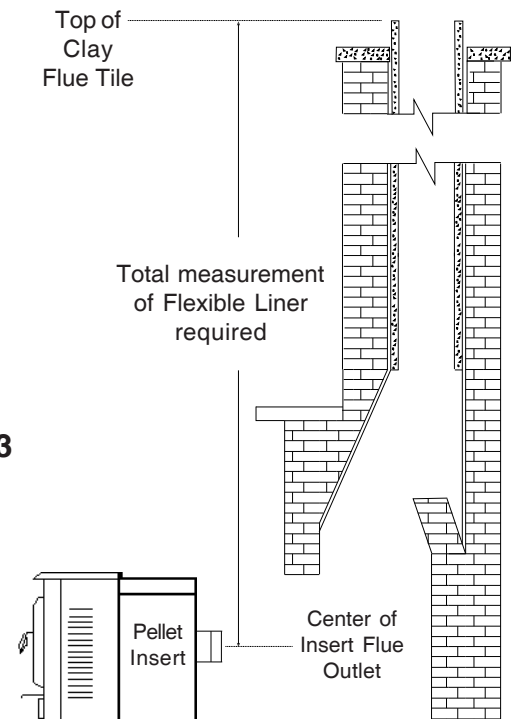


Figure 3

9.0 TRIMMING THE LINER

Mark the liner with the required measurement. If any flexible liner requires cutting, use a hacksaw,

snips or a disc cutter. Attach the Pull-Down to the bottom end of the flexible liner and secure in place with 4 sheet metal screws.

10.0 INSTALLING THE LINER

.1 Gather all necessary component parts and locate them near the masonry chimney on the roof. This should consist of a Flashing/Support, Termination Cap and the prepared length of Flexible Liner complete with the Pull-Down.

.2 Attach a pull rope to the Pull-Down to guide the liner down the chimney. Feed the rope down the chimney flue.

.3 While an assistant gently pulls on the rope from below, start lowering the Flexible Liner down into the chimney flue.

NOTE: Due to possible snagging which may result in some surface damage, caution must be observed when lowering the Flexible Liner into the masonry flue.

.4 After feeding the liner down the chimney to the bottom, remove the Pull-Down and the pull rope from the Flexible Liner.

11.0 PREPARING THE FLASHING/SUPPORT

.1 Position the Flashing and center the flat plate on top of the clay tile. Mark the outline of the clay tile on the underside of the flashing plate. There should be a minimum of 1-1/2" to 2" overhang on each side of the clay tile.

.2 Cut off each corner at 45° and bend over the excess at the marked line using a pair of hand folders (as per Figure 4).

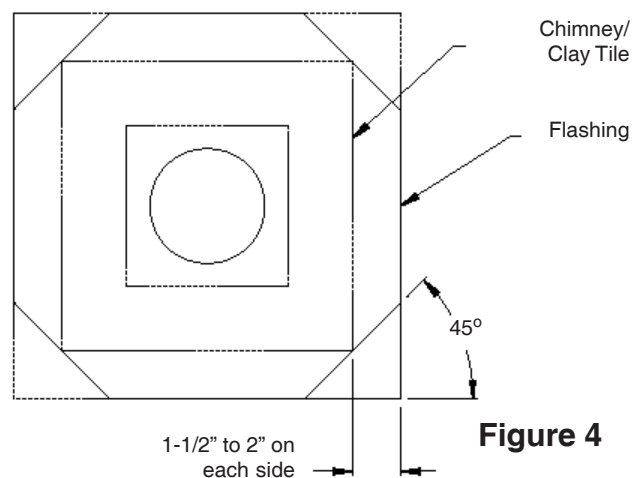


Figure 4

12.0 TERMINATION CAP INSTALLATION

.1 Trim the Flexible Liner so that it is flush with the top of the chimney or clay tile liner. Insert the Flashing Connector onto the previously prepared Flashing/Support ensuring the collar of the Flashing goes all the way into the Flashing Connector (see Fig. 5 & 6).

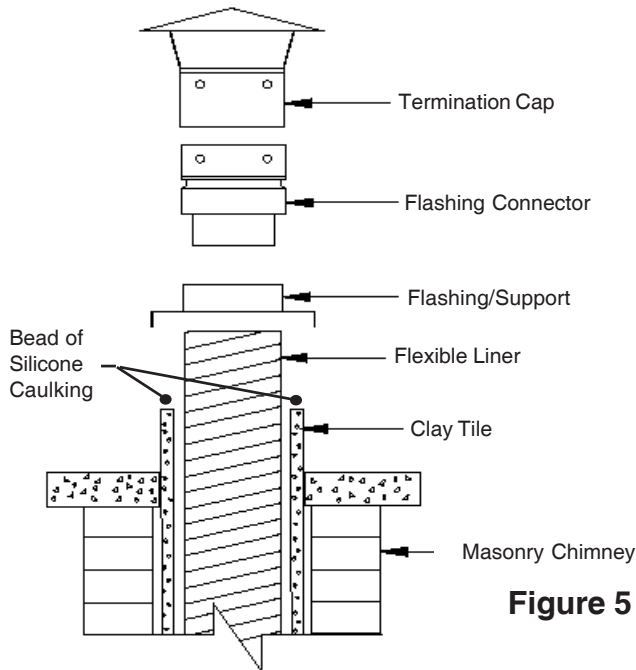


Figure 5

.2 Pull enough of the Flexible Liner out of the chimney to enable you to apply a bead of RTV Silicone caulking into the Flexible Liner 1" from the top edge of the liner.

.3 Attach the Flexible Liner to the Flashing Connector on the bottom side of the Flashing. Secure in place with three (3) stainless screws (not supplied) equally spaced at 120° through the Flex into the Flashing Connector.

.4 Place a wide bead of high temperature silicone along the entire top surface of the clay tile (see Figure 5).

.5 Slide the Flex and Flashing assembly back into the chimney opening until the flashing plate comes to rest on the clay tile.

.6 Press the flashing firmly into the silicone to create a good seal (see Figure 6).

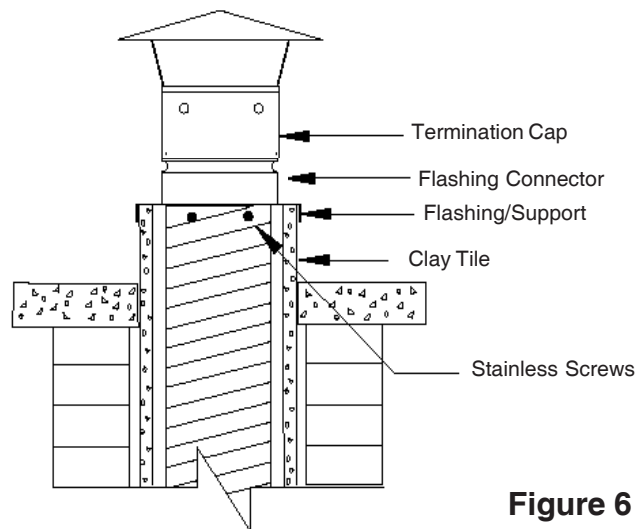


Figure 6

.7 Install the Termination Cap by lining up the pre-punched holes in the cap and the Flashing Adaptor. Secure in place with Stainless Steel screws (not supplied).

WARNING!
RTV SILICONE IS REQUIRED
FOR THE FOLLOWING
IMPORTANT STEPS

13.0 CONNECTION AT THE INSERT

.1 Apply a 1/2" bead of RTV silicone caulking into the inside edge of the 3" portion of the Increaser.

.2 Attach the 3" portion of the Increaser to the male end (top) of the Tee and secure in place with the three (3) supplied friction fit screw stop (Figure 7a&b). Smooth out the excess silicone where the Increaser meets the Tee.

NOTE: It may be necessary to cut the Flexible Liner to ensure the center height of the Tee Branch lines up with the center height of the appliance flue outlet.

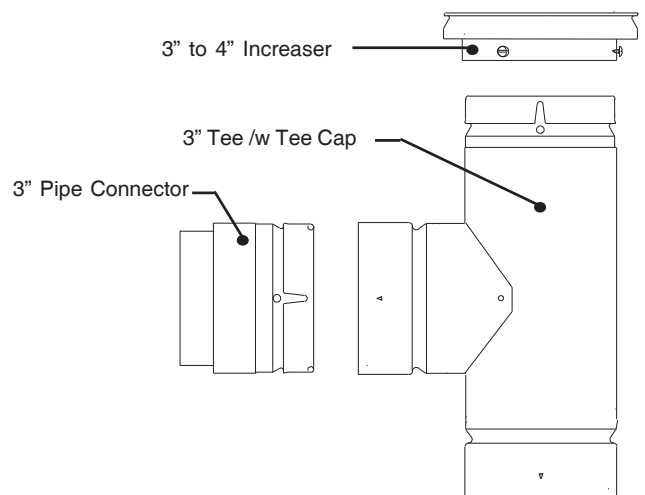


Figure 7a - Unassembled Components

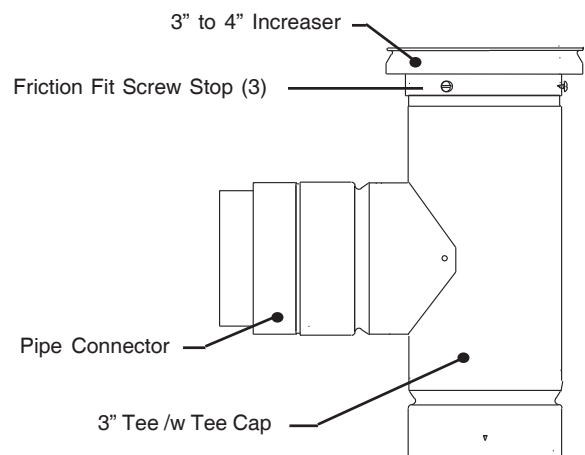


Figure 7b - Assembled components

.3 Apply a 1/2" bead of RTV silicone caulking on the inside edge of the 4" portion of the Increaser. Position the Increaser over the bottom end of the Flexible Liner (**ensuring that the Tee Branch is facing towards the back of the insert**) and secure it in place with 3 sheet metal screws. Smooth out the excess silicone where the Increaser meets the Flexible Liner.

.4 Position the insert near its final position. This will facilitate the remaining connection to the insert.

.5 Insert the mating ends of the Tee Branch and the Pipe Connector (already installed to the appliance flue outlet) until the locking tabs engages, preventing them from being pulled apart.

.6 Secure the mating ends in place with one or more sheet metal screws (maximum length of 1/4") at the joint. This will prevent unintentional joint separations. Position the insert in its final position.

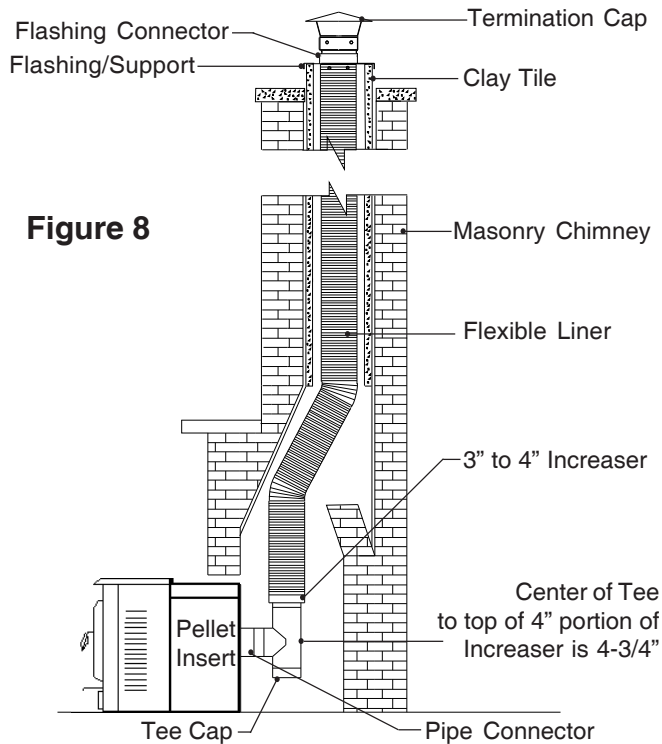


Figure 8

14.0 MAINTENANCE REQUIREMENTS

CAUTION! Unplug all electrical cords.

Refer to the insert appliance manufacturer's maintenance instructions for recommendations relative to required maintenance of your insert appliance.

Model 4VP-FK system requires periodic inspection and cleaning with a 4" chimney brush which will not damage the inside surface of the Flexible Liner. **DO NOT USE** chemical cleaners to clean your venting system.

Frequency of necessary vent system cleaning will vary with the insert, system configuration, climate, the amount of pellets burned, pellet quality, length of time since last cleaning and the quality of the fire. Certain pellet burning insert appliances or pelletized fuels may give off more fine dust (fly ash) than others. In any case it is recommended that the complete assembly be inspected and cleaned (if any buildup has occurred) at the beginning of each heating season and at least monthly thereafter.

15.0 TO INSPECT AND CLEAN

Remove the Termination Cap by removing any screws, then pulling up until it disengages. Remove the Tee Cap by removing the stop screw and pulling the cap off. Inspect system. If necessary clean by running a brush through the system several times in each direction. NOTE - Be sure that the Tee Cap and Termination Cap are reinstalled and secured when Inspection/Cleaning is completed and before the system is put back in use.

16.0 IN CASE OF FIRE

If a fire occurs within the vent system, de-energize the appliance, close all draft controls, evacuate and call the Fire Department. Do not use the insert appliance or vent system until they have been inspected by a qualified technician or qualified chimney sweep and declared suitable for further use. Refer to the appliance's Installation Instructions for more details.

INSTALLATION INFORMATION

Keep in a safe place for future reference

CHIMNEY MODEL: _____

INSTALLATION DATE: _____

DEALER/STORE NAME: _____

ADDRESS: _____

CITY: _____

STATE/PROVINCE: _____

TECHNICIAN NAME: _____

ADDRESS: _____

CITY: _____

STATE/PROVINCE: _____