

# Round Type B Gas Vent Model RV

## INSTALLATION INSTRUCTIONS

**1. GAS VENT DESIGNATIONS/TYPES OF APPLIANCES** Selkirk Canada Corporation Type B Gas Vent parts LISTED and produced under the Factory Inspection and Follow-up program of Underwriters' Laboratories, Inc. carry the LISTING MARK illustrated here.



Type B Gas Vent has been tested, and listed using all of the supports, firestop, etc., described herein. Deletion or modification of any of the required parts or materials may seriously impair the safety of your installation, and void the certification and or warranty of this vent. It is of the utmost importance that this vent be installed only in accordance with these instructions.

Type B Gas Vent is designed for venting of listed (L.P. or natural) gas appliances equipped with draft hoods and other listed gas appliances specified for use with Type B gas vent producing flue gas temperatures not in excess of 245°C (470° F). DO NOT USE Type B Gas Vent for Category II, III or IV gas appliances, or for any gas appliance which requires either a pressure-tight or liquid-tight venting system.

All sizes of Selkirk Type B Gas Vent may be used in single and multistory buildings. All Type B Gas Vents may be used for both individual and multiple appliance venting.

Selkirk Type B Gas Vents are to be installed and used in accordance with the Canadian Fuel Gas Installation Code CSA-B149.1-00, and/or applicable local/regional codes.

**⚠ WARNING**

**Failure to follow the installation instructions could cause FIRE, CARBON MONOXIDE POISONING, OR DEATH. If you are unsure of installation requirements, call the Phone Number listed on the instructions, 1.800.\*\*\*#667E) \$' / or visit [www.selkirkcorp.com](http://www.selkirkcorp.com).**

not required under the terms of the UL Listing because of the integral couplers, screws are permitted to be installed at the joints in RV Gas Vent. In such case, the screws should be located approx. 1/4" from overlapped edge and must be maximum 1/4" in length so they do not pierce or deform the inner liner.

A new Lock-Tab® feature provides the equivalent of using a screw for this purpose since, once engaged (with finger or thumb until it bends into the groove in the top/outlet end of the adjacent piece), it prevents the pipes from being disengaged unless the tab is pried back out and dimples aligned.

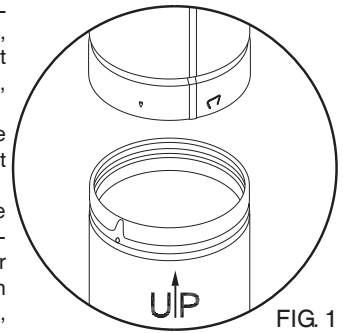


FIG. 1

**CAUTION: WEAR GLOVES WHILE HANDLING METAL PARTS TO AVOID PERSONAL INJURY. SHARP EDGES OR PROJECTIONS CAN CUT YOU.**

### 2. GENERAL

Before beginning your installation be sure that the overall height and Gas Vent size conform to building code requirements. Use Selkirk Gas Vent and Chimney Sizing Handbook or the Fuel Gas Codes to select the correct Gas Vent diameter. Avoid using a larger than necessary vent diameter.

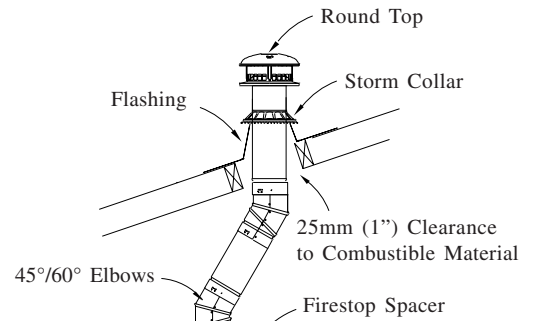
Situate the Gas Vent in the structure so that it can be installed without cutting joints, sills, plates or major load bearing partitions or members. It is also important to locate the base of the Gas Vent as near as possible to the heating appliance.

Selkirk Type B Gas Vent must be installed with 25mm (1") minimum air space clearance to combustibles. Where the Gas Vent extends through inhabited spaces, it must be enclosed with 25mm (1") clearance to avoid personal contact and damage (see Fig. 2). These clearances are marked on all gas carrying items and they apply whether they are horizontal or vertical, or pass through floors, walls, roofs or framed spaces. The appropriate clearance should be observed to joists, studs, subfloors, plywood, drywall, or plaster enclosures, insulating sheathing, rafters, roofing, and any other materials classed as combustible. Enclosure material should have a fire resistance rating at least equal to that of adjacent floor or ceiling material. Keep electrical wires and building insulation away and out of the required air space.

A NOTICE SHOULD BE POSTED near the point where the Gas Vent is connected to the appliance, with the following wording: "Connect this Gas Vent only to gas burning appliances, as indicated in the installation instructions and do not connect to incinerators, or liquid or solid fuel burning appliances". A reminder also to homeowners to check the rain cap for icing during low ambient temperatures.

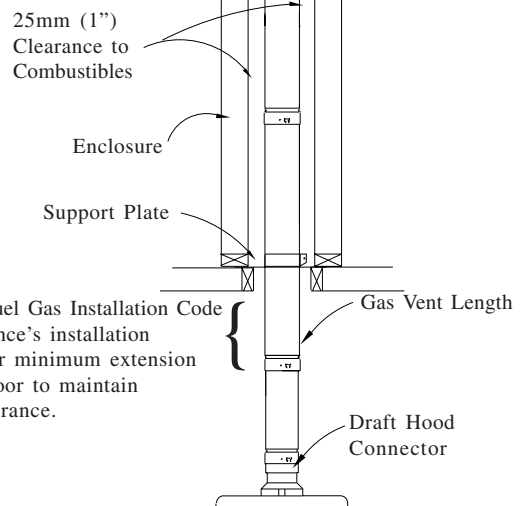
### 3. GAS VENT JOINT METHOD

All joints in Selkirk Type B Gas Vent must be secured using the "Snap Lock" feature. To use the Snap Lock feature, orient sections as shown in Fig.1 and force adjacent piece together until a "SNAP" is heard, indicating full/proper joint engagement. NOTE: Some local jurisdictions require a supplemental screw(s) at joints to prevent disengagement of the joint. Although



Keep electrical wires and building insulation away from gas vent and out of the required air space

FIG. 2



Refer to the Fuel Gas Installation Code and the appliance's installation instructions for minimum extension through the floor to maintain connector clearance.

### 4. AIR SUPPLY

Gas appliances must have an adequate air supply for combustion, vent operation, and ventilation. Special provisions for bringing in outside air may be necessary in tight buildings or when appliances are in small rooms. Consult

the Canadian Fuel Gas Code CSA-B149.1-00, and/or local building codes for air supply requirements.

### 5. VENT CONNECTOR TYPE AND SIZE

Selkirk Gas Vent pipe meets all building codes and safety standards for use as gas appliance vent connectors. Correct selection of connector and vent size is detailed in the Selkirk Gas Vent and Chimney Sizing Handbook, the Installation Gas Code CSA-B149.1-00, and/or local/regional codes.

Draft hood connectors must be attached to the appliance outlet with screws. Single wall connectors, if used must be secured to the appliance, to the gas vent, and at all joints with 3 sheet metal screws per joint. Attachment of vent to non-metallic outlets should be per appliance manufacturer recommendations.

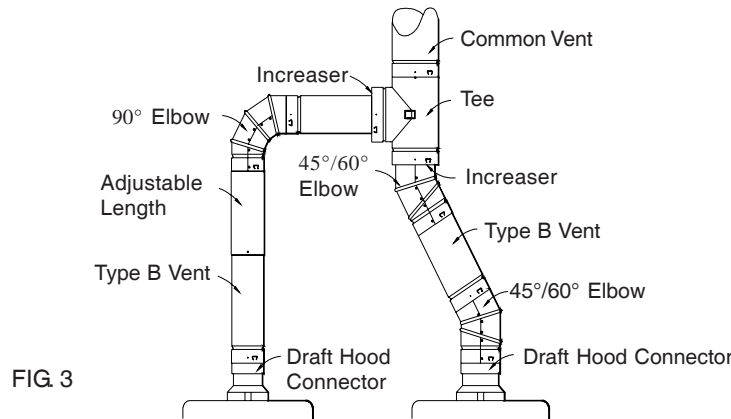


FIG. 3

### 6. VENT LOCATION AND ENCLOSURES

Selkirk Type B Gas Vents are recommended to be installed within the heated portion of the structure wherever possible to reduce heat loss which may in turn lead to poor draft and/or condensation or/and ice problems.

If an exterior location is necessary, an exterior located Selkirk Type B Gas Vent (as per Figure 4) must be:

- Enclosed by a chase spaced out 1" from the vent at least to the roof line.
- The enclosure should be caulked to prevent entry of moisture.
- It is also recommended that this chase be insulated to a minimum of R-12 (RSI 2.1).
- Rigid type insulation is recommended. If a non rigid type is use, it must be restrained in such a manner so that the 1" air space clearance to combustible is respected.
- The bottom of the enclosure must be closed off.
- It is recommended to provide an access panel for future inspection and cleaning of the vent.

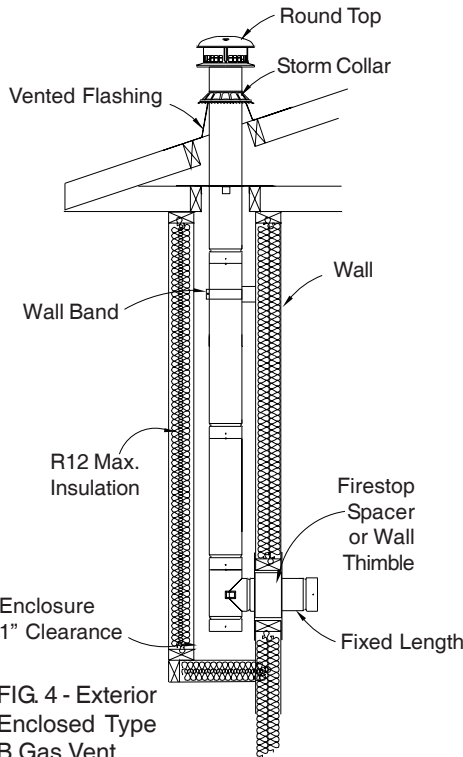


FIG. 4 - Exterior Enclosed Type B Gas Vent

Appliances served by an exterior gas vent must have an air supply to the appliance room adequate to balance indoor and outdoor pressures. Otherwise, "stack action" of the heated building can cause reverse venting action when the appliance is off, or operating on its pilot.

In multi-family residential, high rise and many other types of buildings, codes specify that vents must be located in fire-rated shafts or chases. Building code requirements in such cases must be carefully followed with respect to wall construction, access, clearance, support, initial penetration of breaching, and method of termination.

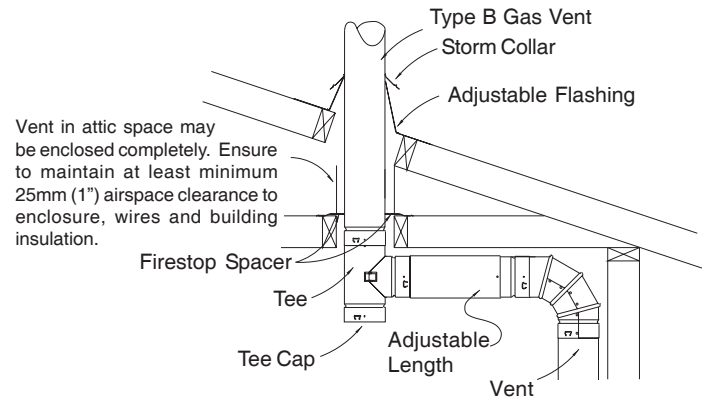


FIG. 5 - Typical Ceiling and Roof Penetrations

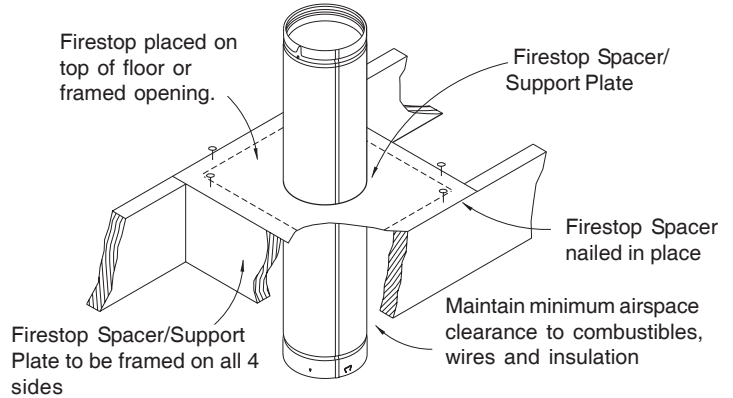


FIG. 6 - Fire Stopping Required at all Ceiling/Floor Levels

### 7. FIRE STOPPING

All Type B Gas Vents passing through floors, ceilings or walls must be firestopped using the Firestop Spacer as per Fig. 2, 4, 6, 7 and 9. The Firestop must close the area between the outer wall of the pipe and the opening in the structure. In areas such as attics with no floor, the Firestop should be placed on top of a properly framed opening. KEEP WIRES AND INSULATION OUT OF REQUIRED AIR SPACE AROUND GAS VENT.

When venting is to be supported the Support Plate must be used as vent pipe supports. See Section 10. For gas vents within a shaft or chase, firestopping is provided by the vertical walls of the shaft. Any openings in the chase/shaft below the roof must be firestopped.

### 8. USE OF GAS VENT FITTINGS (See Figs. 2, 3, 5 & 7.)

Do not cut gas vent pipe or fittings. Adjustable Lengths are telescoped over fixed lengths, to accommodate odd distances between vent lengths or connectors. An adjustable length suspended below a support serves as an expansion joint between two fixed points of properly supported gas vent. Ordinarily, the adjustable length must be secured, but for expansion joints it should just maintain good contact and a minimum 1-1/2" overlap. DO NOT USE adjustable lengths to suspend any weight of pipe below. Elbows are fully adjustable. Selkirk tees, elbows, increasers, and short lengths are specially designed to facilitate interconnections. Tees used to start vertical vents must use a tee cap to prevent air leakage. All unused openings in a gas vent must be sealed to prevent loss of effective vent action.

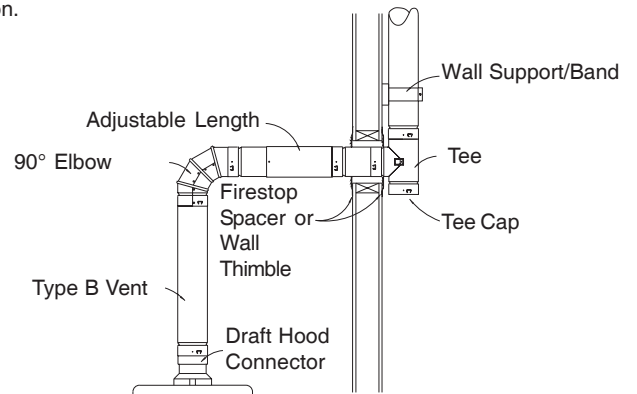


FIG. 7 - Interior Wall Penetration for Type B Vent

**9. MINIMUM GAS VENT HEIGHT**

A minimum gas vent height of 5 feet above the appliance draft hood is required (see Fig. 8). Where the vent has an offset, or serves multiple appliances, greater heights may be required for proper venting. Special care must be taken with short gas vents on duct furnaces, unit heaters, and furnaces in attics to assure they have sufficient vent height to assure complete venting. Refer to appliance manufacturer instructions and local codes for required minimum heights.

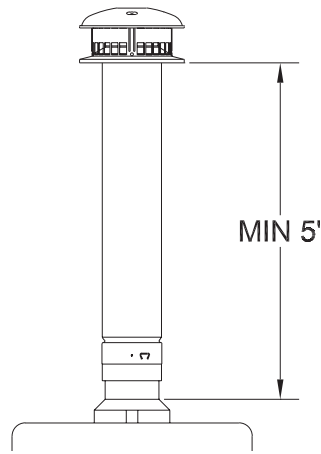


FIG. 8 - Minimum Vertical Height

**10. SUPPORT - PRIMARY AND OFFSETS**

Gas vent piping must be securely supported. Lateral runs are to be supported at least every 5 feet. The Support Plate has been tested to support a maximum of 35' of Gas Vent; if additional height is required, use another Support Plate on another floor level. Vertical runs fire stopped at 8 to 10 foot intervals need only be supported near the bottom.

Cut away and frame a four sided opening in the floor from which the Gas Vent shall be supported, to provide 25mm (1") minimum clearance to combustibles.

Nail Support Plate securely to joist and framing members using 4 x 1-1/2" long nails (1 nail at each corner).

Insert the first length from above through the clamp band and opening of the support plate to proper elevation. Secure clamping band to the length with tabs and 1/4" screws (provided) so weight of vent rests on plate. Room should be left for the draft hood connector and adjustable length.

Additional Gas Vent Lengths above the Support are simply stacked on. See joining section to secure lengths together.

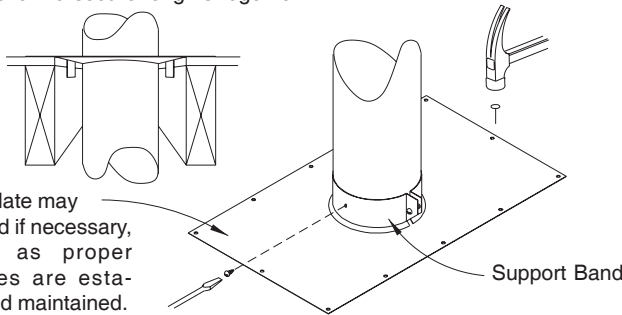


FIG. 9 - Firestop/Support Plate Assembly

Insure 1" minimum airspace is established and maintained. Tees used as vent inlets may be supported by sheet metal plates or brackets. Plumbers tape may be used to support both horizontal and vertical piping. Short vents with less than 6 feet of vertical pipe below the flashing may be suspended from the flashing. (The pipe may be supported by the storm collar resting on the top of the flashing.) Use 1/4 inch long sheet metal screws to attach the storm collar to the pipe at the appropriate place. Apply silicone sealant over the sheet metal screw head. Gas vents supported only by the flashing must be guyed above the roof to withstand snow and wind loads. All gas vents extending above the roof more than 5 feet must be securely guyed or braced.

**11. FLASHING**

The roof opening should be located and sized such that the vent is vertical and has the required air space clearance. The Tall Cone Flashing is for flat roofs only (see Fig. 10). It is nailed in place through all four sides of the base flange. The Adjustable Roof Flashing (see Fig. 11) is positioned with the lower portion of the base flange over roofing material and the upper portion of the base flange under the roofing material. Nail through only the upper portion and sides of the base flange. (DO NOT nail through lower flange.) Use nails with a neoprene washer, or cover the nail heads with a silicone sealant. Finish roofing around the flashing, covering the sides and upper areas of the flange with roofing material.

**12. VENT TERMINATION**

Gas vent piping must extend through the flashing to a height above the roof determined by Rules shown below. A storm collar is installed on the vent pipe over the opening between pipe and flashing. Silicone sealant is used over the joint between pipe and storm collar. The top is securely attached to the gas vent as per section 13.

Rule I:

The top is suitable for installation on listed gas vents terminating a sufficient distance from the roof so that no discharge opening is less than 2 feet horizontally from the roof surface, and the lowest discharge opening will be no closer than the minimum height specified in Fig. 12-B. These minimum heights may be used provided that the vent is not less than 8 feet from any vertical wall.

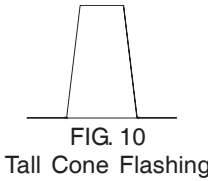


FIG. 10 Tall Cone Flashing

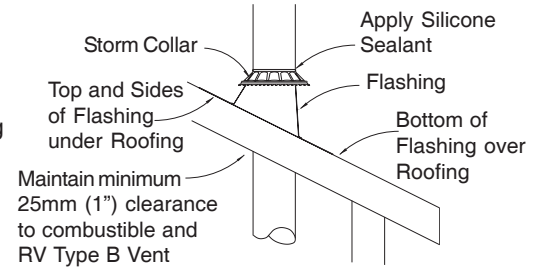


FIG. 11 - Flashing Installation

Rule II - Tops for gas vent sizes 14" and larger.

For installations other than covered by the table (Fig. 12-B), or closer than 8 feet to any vertical wall, the top shall be not less than 2 feet above the highest point where the vent passes through the roof and at least 2 feet higher than any portion of a building within 10 feet.

These rules were established on the basis of tests conducted in accordance with American National Standard ANSI/UL 441.

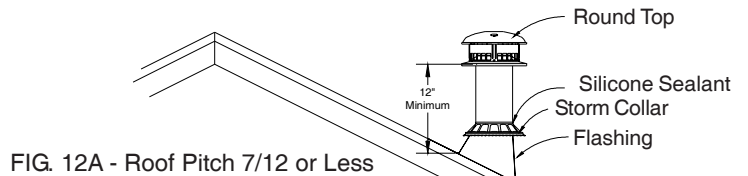


FIG. 12A - Roof Pitch 7/12 or Less

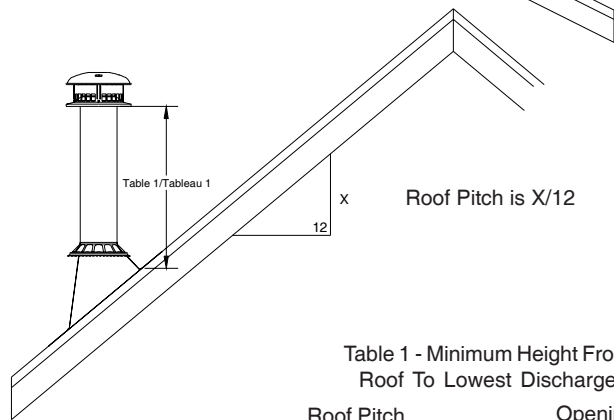


Table 1 - Minimum Height From Roof To Lowest Discharge

Roof Pitch	Opening Ft.
Flat to 7/12	1.0
Over 7/12 to 8/12	1.5
Over 8/12 to 9/12	2.0
Over 9/12 to 10/12	2.5
Over 10/12 to 11/12	3.25
Over 11/12 to 12/12	4.0
Over 12/12 to 14/12	5.0
Over 14/12 to 16/12	6.0
Over 16/12 to 18/12	7.0
Over 18/12 to 20/12	7.5
Over 20/12 to 21/12	8.0

FIG. 12B - Location Rules for Flat to 21/12 Pitch

### 13. RV ROUND TOP INSTALLATION

Selkirk Model RV Type B Gas Vent Round Top have a spring clip which engages and locks automatically when the top is pushed into the upper end of the pipe. To attach securely, bend a one inch length of the pipe upper end inward about 1/8". The spring clip will lock under this bent edge. To remove the top from any pipe, pull up evenly on opposite sides of the skirt of the top.

If the gas vent extending more than 1.25m (4') above the roof additional lateral support is required such as Selkirk Roof Brace Kit.

### 14. CHECKING VENT OPERATION

Complete all gas piping, electrical, and vent connections. After adjusting the appliance and lighting the main burner, allow a couple of minutes for warm-up. Hold a lighted match just under the rim of the draft hood relief opening (see Fig. 13). Proper venting will draw the flame toward or into the draft hood.

Improper venting, indicated by escape or spillage of burned gas, will cause match to flicker or go out. Smoke from a cigarette will also be pulled into the draft hood if the vent is drawing properly and flow away if not.

For fan assisted appliances, which have no draft hood, no such check is available. However, fan assisted appliances are designed to shut down if excessive pressure is detected at the outlet. If this occurs it may be an indication that the system is not venting properly.

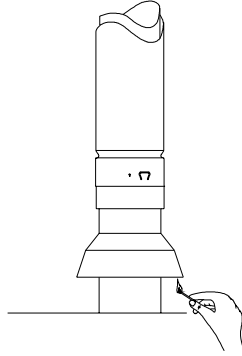


FIG. 13 - Match Test for Spillage

### 15. PAINTING

Exterior above the roof line portions of the vent may be painted with high temperature paint to prolong the life and appearance of the venting (and other components) of Selkirk Gas Vents. Use proper painting procedure at time of installation. Remove oil and dirt with a solvent and follow the paint manufacturer instructions. Ordinary house paints applied directly to steel may not adhere well and do not prevent underfilm corrosion which leads to paint loosening and peeling.

*These instructions should be observed when installing Selkirk Gas Vents. Engineering methods for design and sizing of all Selkirk Gas Vents are provided in the "Selkirk Gas Vent and Chimney Sizing Handbook". Following these methods will assure safe and complete removal of combustion products.*



---

#### Selkirk Corporation

5030 Corporate Exchange Blvd. SE  
Grand Rapids, MI 49512  
Telephone: 800.992.VENT (8368)

---

#### Selkirk Canada Corporation

P.O. Box 526, Depot 1,  
Hamilton, ON L8L 7X6  
Tel: 888.SELKIRK (735.5475)