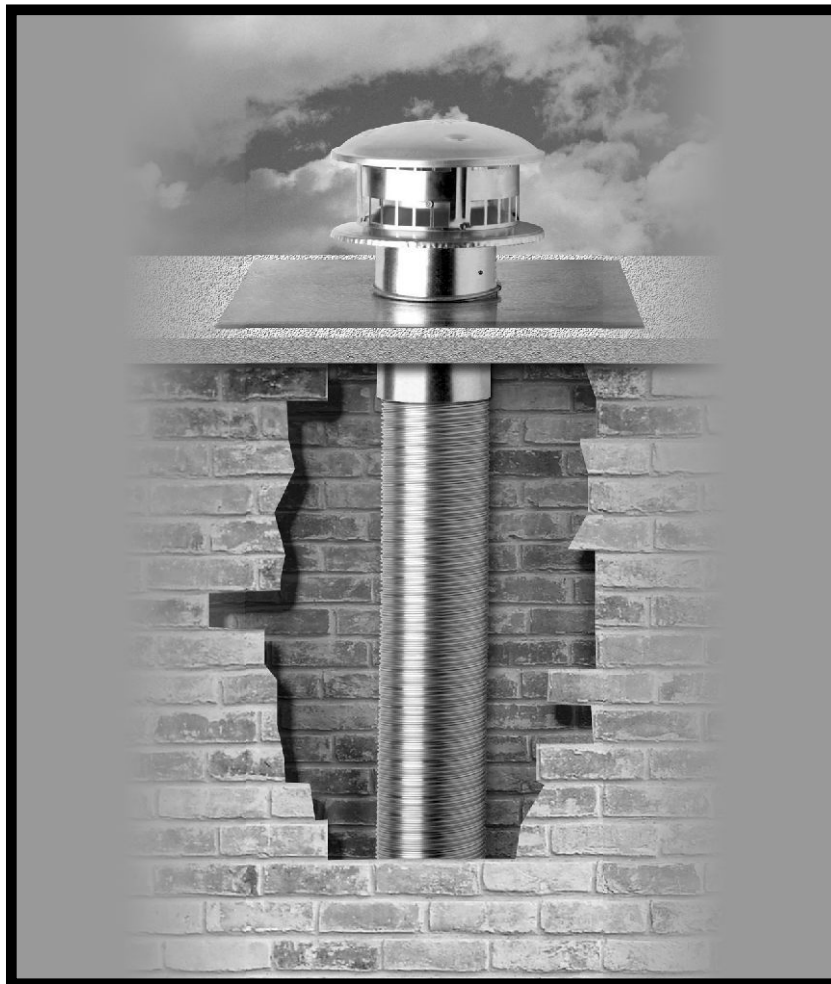


PRODUCT CATALOGUE

FLEXI-LINER®

**Flexible Aluminum Chimney Liner
for Gas Appliances**

3" to 8" Diameter



GAS



Listed To: ULC-S635 and UL 1777

Flexi-Liner Flexible Aluminum Chimney Liner for Gas Appliances

Flexi-Liner is the toughest Aluminum chimney liner you can buy. The seamless design that is used in the manufacturing process results in a superior, better built liner that has increased compressibility (which results in smaller cartons) and a rugged, rip-resistant chimney liner.

Flexi-Liner Specifications

- **Liner Material** - Aluminum 3003, 2-ply (0.005" each)
- **Maximum Flue Gas Temperature** - 470°F (243°C)
- **Available in** 3", 4", 5", 5.5", 6", 7" and 8" diameters
- **Stretch Ratio** - 5:1 (approximate)
- **Clearances** - 0" between liner and chimney interior
- **Listed To** ULC-S635, in Canada and UL 1777 in USA
- **For Category 1** appliances only
- "Smart Choice" Lifetime Warranty

Flexi-Liner Kits

- **Kits include:** Flexi-Length, Round Top (RV), Flashing with 3" collar and Mortar Guard
- **Available in** 25' & 35' Lengths
- **3" to 8" Diameters**
- **15' Kits also available in** 3", 4" & 5" dia.

Flexi-Liner Accessories

- **Flexi-Extension Kits**
Flexi-Liner Length with attached coupler and fastener package
- **Flexi-Sleeve**
Insulation sleeve with tough poly exterior
- **Flexi-Coupler**
Fitting for joining Flexi-Liner sections
- **Pull Down**
Tool to stretch and lead Flexi-Liner Length down chimney
- **B-Vent Adapter**
Adapter to transition from all brands of Listed Type B Gas Vent to Flexi-Liner

FLEXI-LINER Aluminum Flexible Chimney Liner for Gas Appliances

- Flexi-Liner is the toughest Aluminum flexible chimney liner that you can buy. Flexi-Liner is built better for increased compressibility (which results in smaller cartons) and a rugged, rip-resistant product.

Flex Kit



- Install the Flexi-Liner when re-lining a masonry chimney for Gas applications
- Includes Flexi-Liner Length, Round Top, Flashing with 3" Collar, Mortar Guard, Fasteners, and Instructions
- Slim-Line "Suitcase" style cartons

SIZE DIMENSIONS		HC		SELKIRK		Pack
		Part #	Model #	Sku #	Part #	
Length						
3"	15'	582948	3ALK15	1730015	AF15-03	1
4"	15'	582951	4ALK15	1740015	AF15-04	1
5"	15'	582954	5ALK15	1750015	AF15-05	1
Length						
3"	25'	582949	3ALK25	1730025	AF25-03	1
4"	25'	582952	4ALK25	1740025	AF25-04	1
5"	25'	582955	5ALK25	1750025	AF25-05	1
5.5"	25'	582957	55ALK25	1755025	AF25-05.5	1
6"	25'	582959	6ALK25	1760025	AF25-06	1
7"	25'	582961	7ALK25	1770025	AF25-07	1
8"	25'	582963	8ALK25	1780025	AF25-08	1
Length						
3"	35'	582950	3ALK35	1730035	AF35-03	1
4"	35'	582953	4ALK35	1740035	AF35-04	1
5"	35'	582956	5ALK35	1750035	AF35-05	1
5.5"	35'	582958	55ALK35	1755035	AF35-05.5	1
6"	35'	582960	6ALK35	1760035	AF35-06	1
7"	35'	582962	7ALK35	1770035	AF35-07	1
8"	35'	582964	8ALK35	1780035	AF35-08	1

Flex Extension Kits

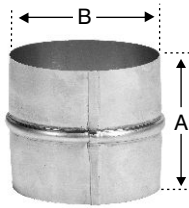


- Flexi-Liner Length with coupler and fastener package

SIZE DIMENSIONS		HC		SELKIRK		Pack
		Part #	Model #	Sku #	Part #	
Length						
3"	10'	5892965	3ALKE10	1730010	AFE10-03	1
4"	10'	5892966	4ALKE10	1740010	AFE10-04	1
5"	10'	5892967	5ALKE10	1750010	AFE10-05	1
5.5"	10'	5892968	55ALKE10	1755010	AFE10-05.5	1
6"	10'	5892969	6ALKE10	1760010	AFE10-06	1
7"	10'	5892970	7ALKE10	1770010	AFE10-07	1
8"	10'	5892971	8ALKE10	1780010	AFE10-08	1
Length						
3"	25'			1730250	AF3-25L	1
4"	25'			1740250	AF4-25L	1
5"	25'			1750250	AF5-25L	1
6"	25'			1760250	AF6-25L	1
7"	25'			1770250	AF7-25L	1
8"	25'			1780250	AF8-25L	1
Length						
3"	35'			1730350	AF3-35L	1
4"	35'			1740350	AF4-35L	1
5"	35'			1750350	AF5-35L	1
6"	35'			1760350	AF6-35L	1
7"	35'			1770350	AF7-35L	1
8"	35'			1780350	AF8-35L	1

FLEXI-LINER Aluminum Flexible Chimney Liner for Gas Appliances

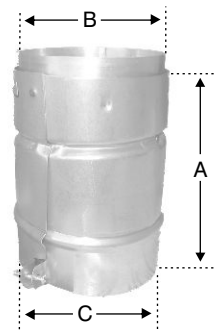
Flex Couplers



- Fitting for joining Flexi-Liner Lengths

SIZE	DIMENSIONS		HC		SELKIRK		Pack
	A	B	Part #	Model #	Sku #	Part #	
3"	4"	2.97"		3ALK-FC	173085	AF3-FC	1
4"	4"	3.97"		4ALK-FC	174085	AF4-FC	1
5"	4"	4.97"		5ALK-FC	175085	AF5-FC	1
5.5"	4"	5.47"		55ALK-FC	175585	AF55-FC	1
6"	4"	5.97"		6ALK-FC	176085	AF6-FC	1
7"	4"	6.97"		7ALK-FC	177085	AF7-FC	1
8"	4"	7.97"		8ALK-FC	178085	AF8-FC	1

Adapters



- Adapter to transition from all brands of Listed Type B Gas Vent to Flexi-Liner

SIZE	DIMENSIONS			HC		SELKIRK		Pack
	A	B	C	Part #	Model #	Sku #	Part #	
3"	5.88"	2.95"	3.57"	582979	3ALK-VA	173086	AF3-BVA	6
4"	5.88"	3.95"	4.57"	582980	4ALK-VA	174086	AF4-BVA	6
5"	5.88"	4.95"	5.57"	582981	5ALK-VA	175086	AF5-BVA	6
6"	5.88"	5.95"	6.57"	582982	6ALK-VA	176086	AF6-BVA	6
7"	5.88"	6.95"	7.57"	582983	7ALK-VA	177086	AF7-BVA	6
8"	5.88"	7.95"	8.57"	582984	8ALK-VA	178086	AF8-BVA	6

Pull Downs



- Tool to stretch & lead Flexi-Liner Length down chimney

SIZE	DIMENSIONS	HC		SELKIRK		Pack
		Part #	Model #	Sku #	Part #	
3"		582985	3FX-PD	173000	FX3-PD	6
4"		582986	4FX-PD	174000	FX4-PD	6
5"		582987	5FX-PD	175000	FX5-PD	6
5.5"		582988	55FX-PD	175500	FX55-PD	6
6"		582989	6FX-PD	176000	FX6-PD	6
7"		582990	7FX-PD	177000	FX7-PD	6
8"		582991	8FX-PD	178000	FX8-PD	6

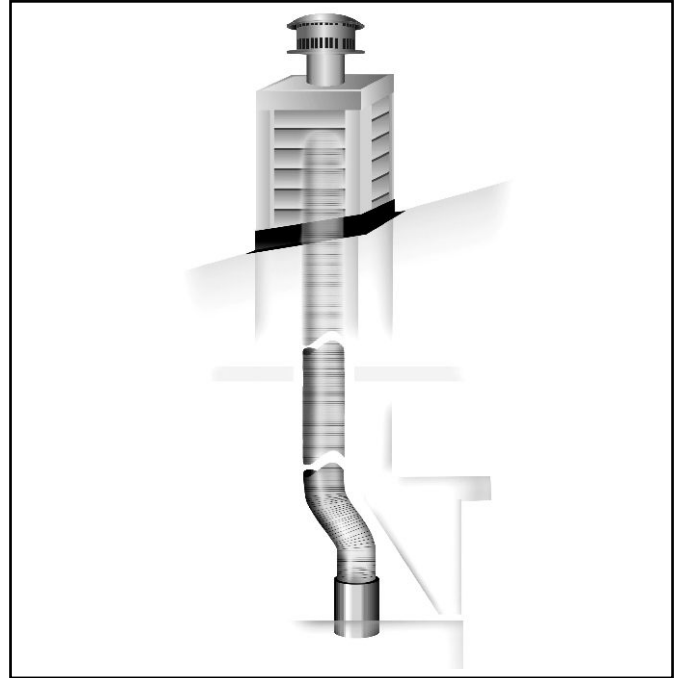
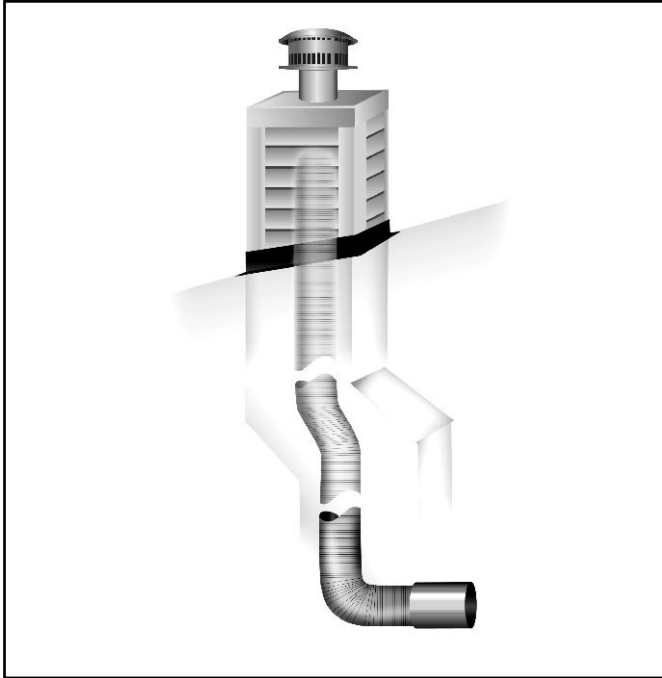
Flexi-Sleeve



- Insulation sleeve w/tough poly exterior
- Cable Ties included

SIZE	DIMENSIONS	HC		SELKIRK		Pack
		Part #	Model #	Sku #	Part #	
3" - 4"		582992	4ALK-FS	1740120	AF4-FS	5
5"		582993	5ALK-FS	1750120	AF5-FS	5
5.5" - 6"		582994	6ALK-FS	1760120	AF6-FS	5
7"		582995	7ALK-FS	1770120	AF7-FS	5
8"		582996	8ALK-FS	1780120	AF8-FS	5

Typical Installations



INSTALLATION TIP

When installing this product into an existing masonry chimney, it is important to carefully measure the length of flex needed to reach from the appliance outlet to the termination cap. If the flex length is too short, a flex coupler will be needed to attach an additional length of flex liner to make up the difference. If the flex length is too long, the liner could sag below the appliance outlet, which could result in an airflow restriction causing flow reversal or flame lift.

WHY RE-LINE YOUR CHIMNEY?

Most masonry chimneys are oversized and absorb too much heat to be considered a proper vent. New appliances installed today yield higher efficiencies due to advancements in technology. This helps you save by increasing the amount of usable heat for your home generated by each BTU of fuel you burn. Higher efficiencies effectively help you "send less money up the chimney". However, because more heat is used by the home, there is less heat in the exhaust gases vented to the outside. If not vented properly, these lower temperature exhaust gases can lead to excessive moisture in your chimney (or to the appliance not venting at all!)

WHY MOISTURE IS BAD FOR THE INSIDE OF A CHIMNEY

Moisture, over time, will cause corrosion and decay of bricks, mortar and clay liners. How? Moisture reacts with the exhaust gases to form acids which "eat away" at your chimney. Also, moisture collects into cracks and can seep into bricks and mortar. In cold climates, the moisture freezes, expands, then thaws, causing chunks of your chimney to break loose and crumble. Finally, moisture can actually drip back into your Appliance, causing it to rust or corrode.

PROTECT YOUR CHIMNEY

Flexible Chimney Liners have two primary ways of protecting your chimney:

- a/ The Flex Liner contains the vent gases which can react with moisture to damage the inside of your chimney.
- b/ Flex Liners reduce the size of the chimney opening, so they require less heat to effectively exhaust the fumes and prevent moisture build up.



The Best Warranty in the Industry

Flexi-Liner features advanced engineering designs and premium materials which allow us to offer a Lifetime Warranty.

See written warranty for details.

All Hearth Products Are Not Created Equal.



Type "B" Gas Vent



Stainless Steel Chimney Liners



Pellet-Pipe



Insulated Chimney Systems



Stove Pipe



Direct Vent Pipe
for Gas, Pellet, or Multi Fuel



Reduce, Reuse, Recycle
Our literature is printed on
recyclable paper



5030 Corporate Exchange Blvd.
Grand Rapids, MI 49512
Toll Free: 1.800.433.6341

FLEXI-LINER®

www.flexi-liners.com

P.O. Box 526, Depot 1
Hamilton, ON L8L 7X6
Toll Free: 1.888.SELKIRK (735.5475)