

# Double Wall Black Stove Pipe Chimney Connector Systems

## Table of Contents

Introduction ..... 2  
 Construction Features ..... 2

**Model DCC Double Wall Stove Pipe**

Pipe Section ..... 3  
 Adjustable Length ..... 3  
 Two-Piece Telescoping Section ..... 3  
 90° Elbow ..... 4  
 Stove Adapter ..... 4  
 45° Elbow ..... 4  
 Double Wall Connector Kit ..... 4  
 Increaser ..... 4  
 Tee ..... 4  
 Typical Installations for Model DCC ..... 5



## Introduction

### Model DCC Double Wall Stove Pipe

Model DCC is a premium quality system designed to provide better insulating value for superior wood stove performance. Double Wall Stove Pipe allows for reduced clearances to combustible materials and longer life than common single wall connector pipe.

The Model DCC is listed to UL103 and ULC S-641 with a 6" clearance on all diameters, and all configurations.

## Construction Features

### Model DCC Double Wall Stove Pipe

- Stainless Steel inner liner
- Air-insulated, double wall design
- Matte black finish – Stove Brite 1990 Satin Black
- Easy to install and inspect screw joint assembly
- Drip-free design to prevent creosote leakage
- Components individually wrapped

## Pipe Section

- DCC-12
- DCC-18
- DCC-24
- DCC-36
- DCC-48

- 12", 18", 24", 36", and 48" lengths
- Stainless Steel inner liners
- Easy to install and disassemble screw-joint assembly

Part No.	Size	ID	OD
6DCC-12, 18, 24, 36, 48-BK	6"	6"	7"
8DCC-12, 18, 24, 36, 48-BK	8"	8"	9"



## Adjustable Length Two-Piece Telescoping Section

- DCC-TS5
- DCC-18A
- DCC-6A



### DCC-TS5

- Two-piece telescoping section
- 5-foot length
- Telescopes between stove and supports for adjustments from 3 1/2' to 5 1/2'

### DCC-18A

- Adjustable length
- 18" section
- Slips over pipe section for adjustments from 3" to 15"

### DCC-6A

- Adjustable length
- 6" section
- Slips over pipe section for adjustments from 2 1/2" to 5"

Part No.	Size	ID	OD
6DCC-TS5-BK	6"	6"	7"
8DCC-TS5-BK	8"	8"	9"
6DCC-18A-BK	6"	6"	7"
8DCC-18A-BK	8"	8"	9"
6DCC-6A-BK	6"	6"	7"
8DCC-6A-BK	8"	8"	9"

## 90° Elbow

DCC-90



Fixed 90° elbow is used to offset connector pipe toward the insulated chimney system.

Part No.	Size	A	B
6DCC-90-BK	6"	9 1/4"	10"
8DCC-90-BK	8"	11 1/4"	12"

## Stove Adapter

DCC-SA



6" high adapter fits over tall stove collars.

Part No.	Size
6DCC-SA-BK	6"
8DCC-SA-BK	8"

## 45° Elbow

DCC-45



Fixed 45° elbow is used to offset connector pipe toward the insulated chimney system.

Part No.	Size	A	B
6DCC-45-BK	6"	4 1/2"	5"
8DCC-45-BK	8"	4 3/4"	6"

## Double Wall Connector Kit

DCC-K



Part No.
6DCC-K-BK
8DCC-K-BK

The kit includes two 24" pipe sections, one 18" adjustable length and one stove adapter. Kits are available in 6" and 8" sizes to accommodate vertical installations up to 66".

## Increaser

6XDCC-7  
6XDCC-8



Increases may be used at either the top or bottom of DCC stove pipe to increase a 6" DCC to an 8" DCC. The 6XDCC-7 to be used at the top of DCC stove pipe to increase the 6" DCC to a 7" chimney system.

Part No.	Size
6XDCC8-BK	6" to 8"
6XDCC-7	6" to 8"

## Tee

DCC-T

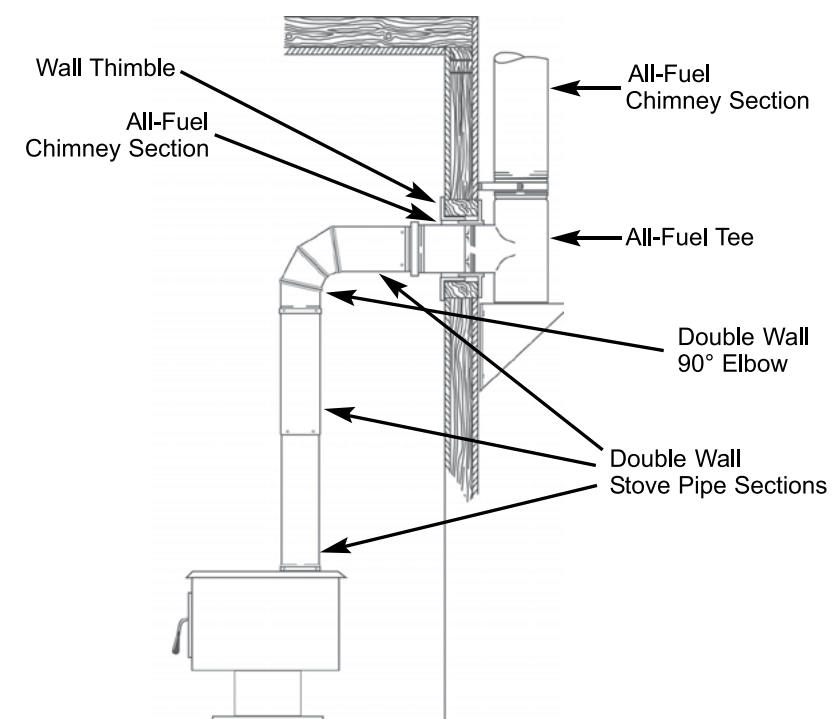


Tee is used where stove pipe connection is made at the rear of the appliance.

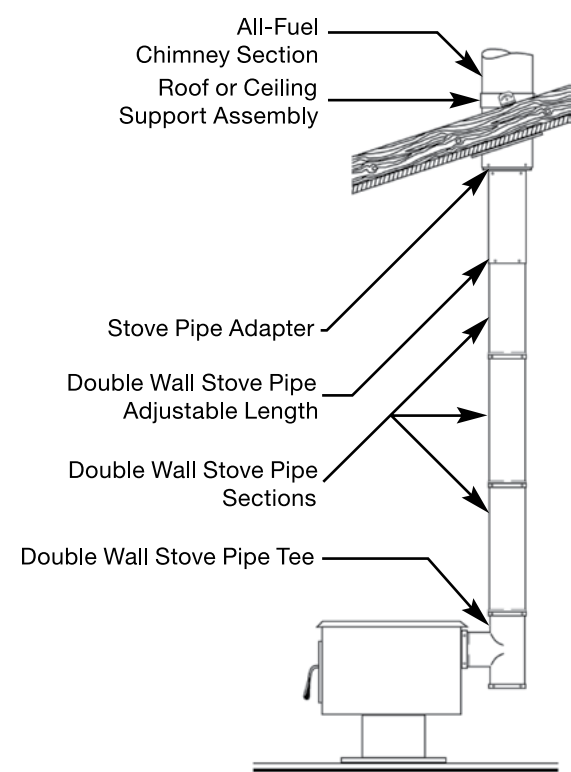
Part No.	Size	A	B
6DCC-T-BK	6"	16"	3"
8DCC-T-BK	8"	17"	3"

Typical Installations

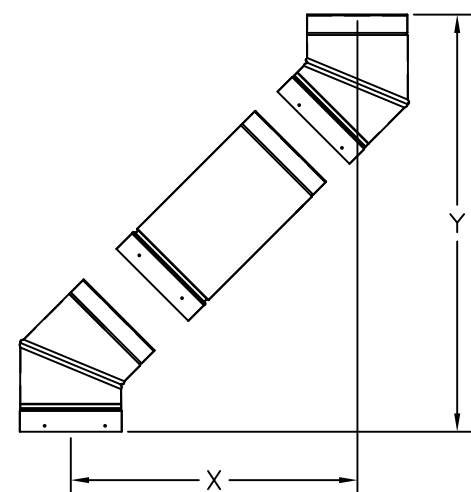
Wall Support Installation for Model DCC



Vertical Support Installation for Model DCC



OFFSET CHART



6" DIAMETER DCC WITH (2) 45° ELBOWS			7" DIAMETER DCC WITH (2) 45° ELBOWS			8" DIAMETER DCC WITH (2) 45° ELBOWS		
PIPE LENGTH	X - RUN	Y - RISE	PIPE LENGTH	X - RUN	Y - RISE	PIPE LENGTH	X - RUN	Y - RISE
0"	5 1/2"	13 1/4"	0"	6 3/16"	14 15/16"	0"	6 7/8"	16 5/8"
12"	13 1/16"	20 13/16"	12"	13 3/4"	22 9/16"	12"	14 1/2"	24 1/4"
18"	17 5/16"	25 1/16"	18"	18"	26 3/4"	18"	18 3/4"	28 1/2"
24"	21 1/2"	29 5/16"	24"	22 1/4"	31"	24"	23"	32 3/4"
36"	30"	37 3/4"	36"	30 3/4"	39 1/2"	36"	31 1/2"	41 3/16"
48"	38 1/2"	46 1/4"	48"	39 1/4"	48"	48"	39 15/16"	49 11/16"

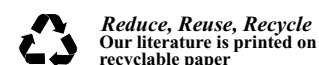
Complete Product Lines to Meet Your Market Needs!

HVAC Products

- AirMate: Registers, Grilles, Diffusers
- Chimney: Ultra-Temp, Ultra-Temp Large, Galva-Temp, Galva-Temp Large, SuperPro, SuperPro 2100 (Canada only)
- Venting: Direct-Temp / Gas, RV & QC Type B Gas Vent, Flexi-Liner, Versa-Liner, Saf-T Vent Special Gas Vent, BV Type B Gas Vent (Canada), PL Pellet Pipe (Canada)

Hearth Products

- Chimney: Ultra-Temp, Ultra-Temp Large, Galva-Temp, Galva-Temp Large, SuperPro, SuperPro 2100 (Canada only)
- Fireplaces: Bordeaux, Merlot, Chardonnay
- Venting: Direct-Temp / Gas, Direct-Temp / Pellet, Direct-Temp / Multi-Fuel, Double Wall Stove Pipe, Saf-T Pipe, VP Pellet Pipe, Flexi-Liner, Versa-Liner, Saf-T Liner, BV Type B GasVent (Canada), PL Pellet Pipe (Canada)



Selkirk Corporation  
5030 Corporate Exchange Blvd. SE  
Grand Rapids, MI 49512  
Toll Free: 1.800.433.6341



www.selkirkcorp.com

Selkirk Canada Corporation  
P.O. Box 526, Depot 1  
Hamilton, ON L8L 7X6  
Toll Free: 1.888.SELKIRK (735.5475)

Model DCC Double Wall Stove Pipe



The Model DCC Double Wall Stove Pipe is designed as the black connector pipe to link a wood stove and chimney system.

FEATURES

- Professional market quality and design
- Stainless Steel inner liner
- Streamlined design
- Easy to assemble slip connection
- 6" clearance to combustibles
- 1/2" airspace design

