

S-11

Installation Instructions Covering - Metal Roof Flashing Kit

Read Sheet GS for important clearance and safety precautions before installing any of the parts described by this Sheet. Sheet GS is packaged with Supports.

This adapter kit consists of sealer tape and two sheet metal strips that are field shaped to the proper contour, allowing for the installation of a conventional Selkirk flashing onto a metal roof deck.

Read sheet GS and S-3 for important clearance and safety precautions before installing this kit. Always wear cut resistant gloves while handling metal parts to avoid personal injury. Read all instructions in their entirety before beginning installation.

Figure 1

1. Carefully center the flashing over a plumb chimney and trace the location of the upper or "peak side" portion of the flashing base.
2. Remove the flashing and measure three inches (3") down from the line that marks the upper or "peak side" location of the flashing base (traced in step 1). Cut a slot that is approximately one quarter inch (1/4") wide, parallel to the roof peak and equal to the width of the flashing base.
3. Trim the angle strips to match the width of the flashing base.

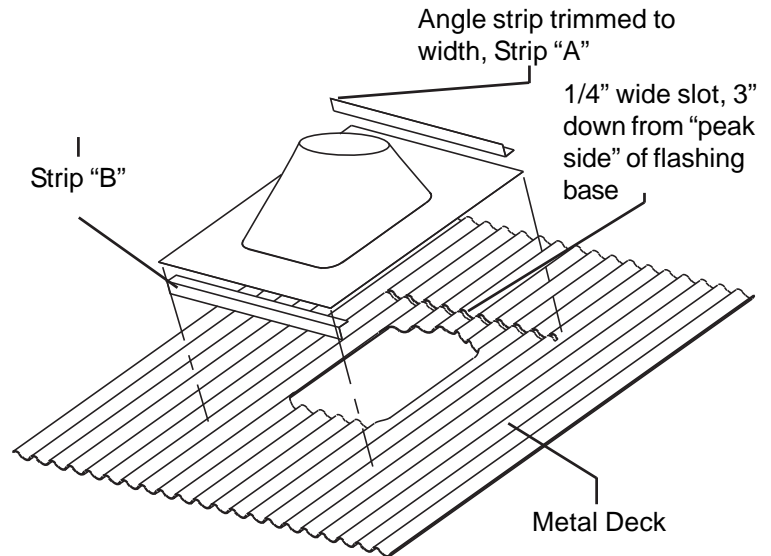


Figure 1

Figure 2

4. Position angle strip "A" through the slot so that one side is flat against the lower surface of the metal deck facing the peak and the other points upward through the slot. Trace the metal deck profile onto the vertical portion of the strip. Position strip "B" through the slot so that one side lies flat against the top of the metal deck facing the peak and the other points downward through the slot. Trace the metal deck profile onto the vertical portion of the strip.
5. Carefully trim the angle strips to match the upper and lower metal deck profiles.

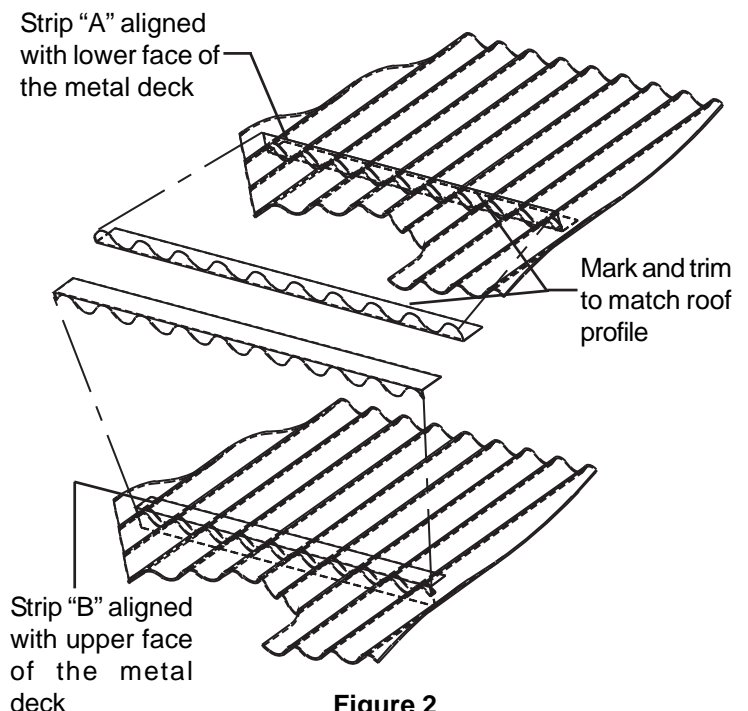


Figure 2

Figure 3

- Using the Selkirk sealer tape, attach strip "A" to the top of the flashing base with the trimmed portion 2-1/2" from the "peak side" edge. Attach strip "B" to the bottom side of the flashing base with the trimmed portion 1/2" from the lower or "eave side" edge. Be sure that the notches of each strip match the "ridges" and "valleys" of the metal deck profile.
- Insert the flashing base into the slot approximately three inches (3"), so that the notches of strip "A" fill the "caves" of the metal roof deck approximately one half inch (1/2") beyond the slot.
- Fasten the flashing to the roof deck using the Selkirk plastic sealer tape and screws with silicone or self sealing washers. For corrugated style metal decking, it is recommended that you attach the plastic sealer tape and flashing to the outer most ridge peak closest to the flashing base edge.

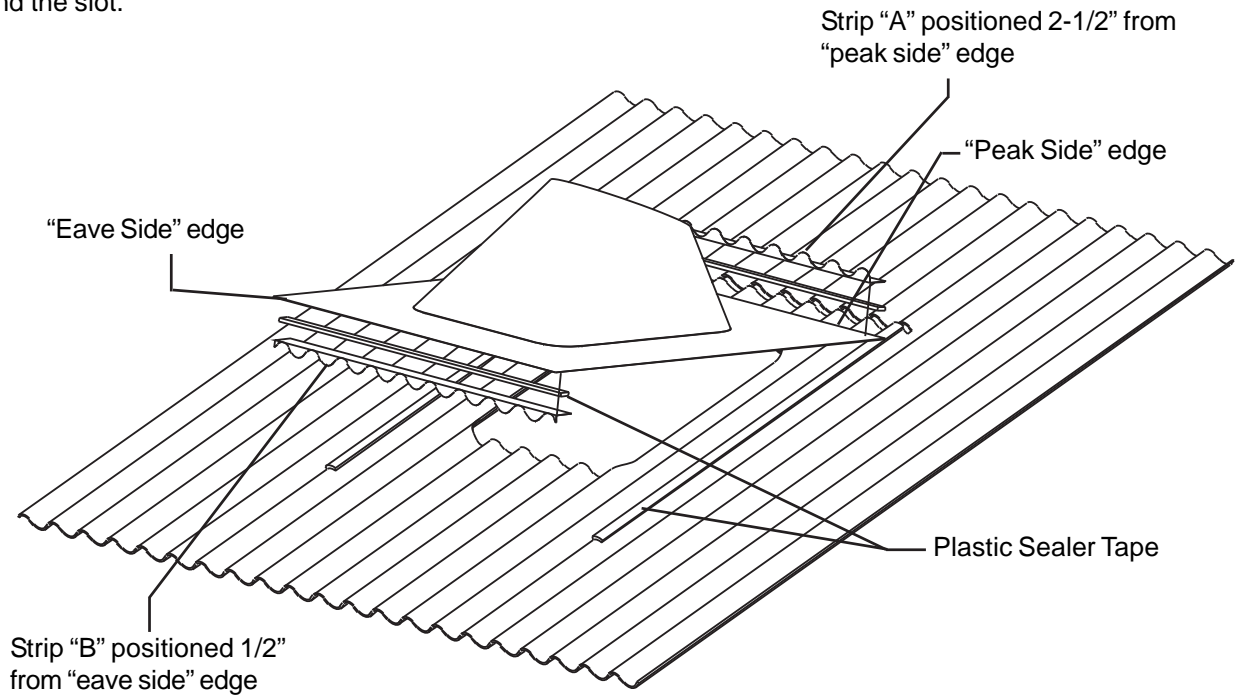


Figure 3

Figure 4

- Seal the ridges and valleys of strip "A" at the metal deck and ends of the slot as required, using a high quality external grade sealant. Complete the installation of the chimney and remaining components as directed in their instructions.

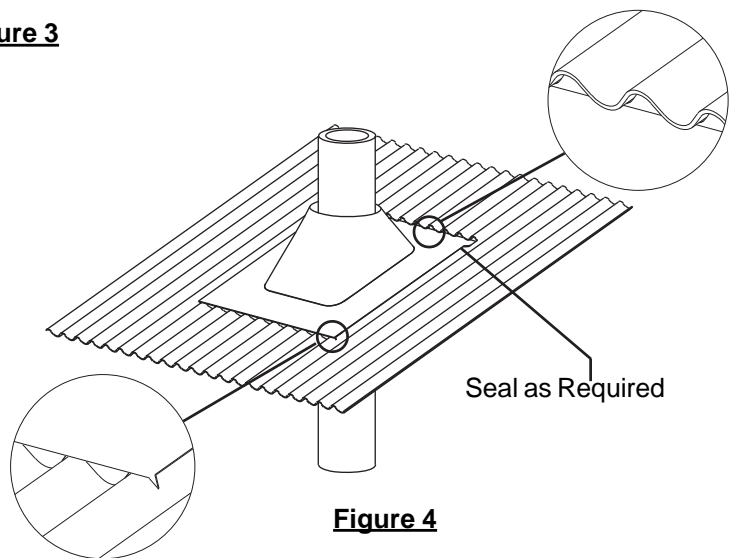


Figure 4

Selkirk Corporation
5030 Corporate Exchange Blvd. SE
Grand Rapids, MI 49512
Toll Free: 1.800.992.VENT (8368)
info@selkirkcorp.com



Selkirk Canada Corporation
P. O. Box 526, Depot 1
Hamilton, ON L8L 7X6
Toll Free: 1.888.SELKIRK (735.5475)
info@selkirkcanada.com