

Selkirk Chimney Systems (USA Only - See separate instructions for Canada)

MH

Installation Instructions

Covering - Special Mobile Home Joist Shield and Cathedral Ceiling Adapter

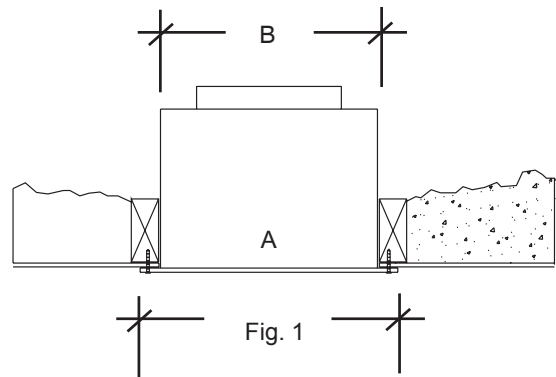
The Selkirk Chimney System (SCS) Special Joist Shield is intended for use in mobile homes if it is specified by the appliance installation instructions. It is to be installed in combination with Selkirk size 6", 7" or 8" chimney when so indicated by the installation instructions for fireplaces, or fireplace stoves, or solid fuel room heaters.

INSTALLATIONS INSTRUCTIONS

FOR A FLAT CEILING:

1. To install a Mobile Home Joist Shield, begin by plumbing a line from the ceiling directly over the center of the heating appliance outlet. Maintain minimum clearances to combustibles as stated in the appliance and chimney installation instructions.
2. Cut a circular opening in the ceiling, using the plumb point as the center, 1/2" larger than the outer cylinder, Dimension B.
3. Insert the Mobile Home Joist Shield into the circular opening from below and secure it to the ceiling with the four #8 x 1-1/4 screws provided. (See Fig. 1)

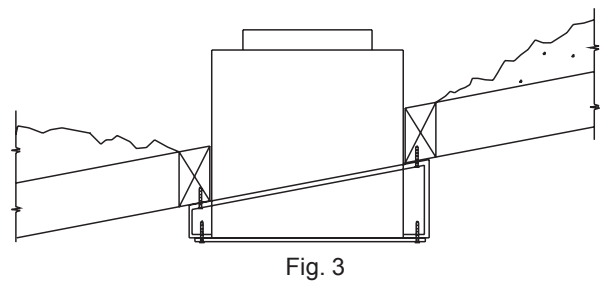
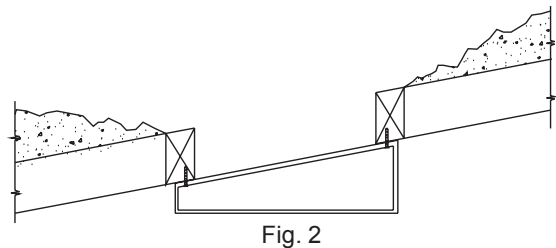
Chimney Size	Dim A	Dim B
6	14-1/4	12
7	15-1/4	13
8	16-1/4	14



FOR A CATHEDRAL OR PITCHED CEILING:

If your ceiling is a cathedral or pitched type, you may use the Mobile Home Joist Shield Cathedral Adapter (MHCA), along with the Joist Shield. To complete the installation, follow steps 1 and 2 above.

1. Install the adapter directly to the ceiling with the angled portion against the ceiling. Center this adapter around the circular opening in the ceiling and secure it to the ceiling with four #8 x 1-1/4 screws. (See Fig. 2)
2. Connect the Mobile Home Joist Shield (MH) to the adapter (MHCA) from below, using the four #8 x 3/8" screws provided. (See Fig. 3)



This is a non-supporting joist shield. The Selkirk Type HT chimney must be supported either by the heating appliance or by a roof support (T-RSP). Do not allow insulation to make contact with the chimney pipe or the inner cylinder of the joist shield.

