

SELKIRK CHIMNEY SYSTEM ROOF BRACE KIT

(USA Only - See separate instructions for Canada)

(PART NO. 6T-RBK, 7T-RBK, 8T-RBK)

LIST OF CONTENTS

QTY.	ITEMS	QTY.	ITEMS	QTY.	ITEMS
2 ea.	Angle Bracket 1 1/4 sq. x 4"	2 ea.	Chimney Support Band	2 ea.	Telescoping Tubes
4 ea.	1/4 x 2" Lag Bolts	Including Hardware:		Including Hardware:	
2 ea.	1/4-20 x 1" Bolts	4 ea.	1/4-20 Hex Flange Nuts	2 ea.	1/4-20 x 1" Bolts
2 ea.	1/4-20 Hex Flange Nuts	2 ea.	1/4-20 x 1/2 Carriage Bolts	2 ea.	1/4-20 Hex Flange Nuts
		2 ea.	1/4-20 x 2" Carriage Bolts		

Chimney height up to 4 feet above the roof requires NO external bracing but the chimney must be stabilized from below. Chimney height 6 to 10 feet above the roof always requires a Roof Brace Kit.

A. Place the Chimney Support Band around the chimney at a minimum height of 1/2 (2/3 or greater if possible) the distance that the chimney extends above the roof. See Fig. 1. Secure the Chimney Support Band using two (2) 1/4" X 2" and two (2) 1/4" x 1/2" bolts and nuts.

B. Determine the location of the two Angle Brackets on the roof structure, rafters or framing. Secure to roof temporarily using nails to hold in place.

C. Assemble Telescoping Tube as follows:

1. Place a 1/4-20 x 1" bolt through the hole in the Nut Retainer. (See Fig. 2)
2. Attach 1/4-20 Hex Flange Nut from the inside of the Nut Retainer to the bolt.
3. Place this assembly over the larger tube which has a hole punched through one wall of the tubing.
4. Position the Nut Retainer assembly so that the bolt can be threaded through the hole in the side of the tubing.
5. Insert the smaller tube into the larger tube.
6. To secure the telescoping tube assembly in a locked position, tighten the 1" bolt in the Nut Retainer. To adjust the tubes, loosen the bolt.

D. Attach one end of each Telescoping Tube Assembly to each of the Angle Brackets using one (1) 1/4-20 x 1" bolt and nut, and the other end of the Telescoping Tube to the Chimney Support Band using one (1) 1/4-20 x 1/2 Carriage bolt and nut. The flattened tube ends can be bent as necessary.

E. Adjust the Telescoping Tubes as needed by loosening the bolt which secures the inner tube to the outer tube, extending to the needed length and retightening the bolt.

F. Remove the nails which temporarily are holding the Angle Brackets. Secure the Angle Brackets to the roof structure using two (2) 1/4 x 2" lag Bolts for each Bracket.

G. Check all required dimensions and angles, adjust if necessary.

H. Finish tightening all bolts and nuts.

I. Clean Tubing with solvent.

J. Paint with rust preventative, primer and outdoor paint.

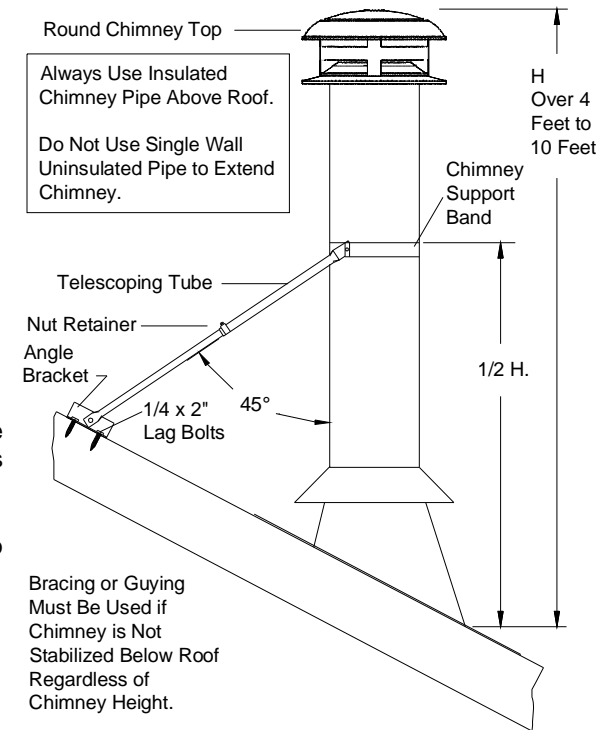


Fig. 1 Typical Roof Bracing

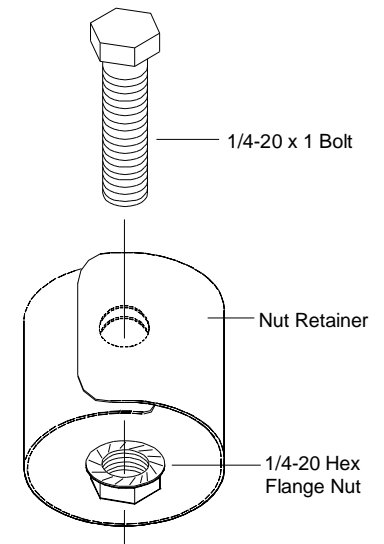


Fig. 2 Nut Retainer

⚠ WARNING

Failure to follow the installation instructions could cause **FIRE, CARBON MONOXIDE POISONING, OR DEATH.** If you are unsure of installation requirements, call the Phone Number listed on the instructions or visit www.selkirkcorp.com