



Selkirk gas vent parts listed and produced under the Factory Inspection and Follow-up program of Underwriters' Laboratories, Inc. carry the LISTING MARK illustrated here.



Refer to the main installation instructions for complete details about installing the vent system. The main installation instructions are packaged with the Top or can be obtained by calling one of the telephone numbers listed at the bottom of this sheet.

**USE:**

The WALL SUPPORT/BAND (enclosed) is a combined wall support and wall band. This device has been tested and Listed for use in supporting up to 35 ft. of vertical Selkirk Type B gas vent and establishes the proper 1" clearance to the wall to which it is attached. The assembly may also be used to provide lateral (sideways) support for long vertical runs of venting along a wall.

**TO INSTALL AS WALL BAND: (USE AT MAXIMUM 8' SPACINGS)**

After determining and marking the location at which the assembly will be used, slip a vent section through the band and clamp loosely in place using the bolt and nut provided. Rotate the bracket toward the wall and place at intended location. Mark the locations for the screws which will attach the assembly to the wall. Pre-drill the holes (if necessary) and attach the assembly using four #10 wood screws provided. Secure (clamp) the band around the vent by tightening the screw and nut, preventing further rotation. Add lengths of vent and additional wall supports/band as necessary to complete installation.

**TO INSTALL AS WALL SUPPORT: (FOR SUPPORTING A MAXIMUM OF 35' OF VENT)**

If the assembly is being used as a vertical support (in addition to a wall band offering lateral support), the additional 1/4" hex head screws should be used

# Round Type B Gas Vent

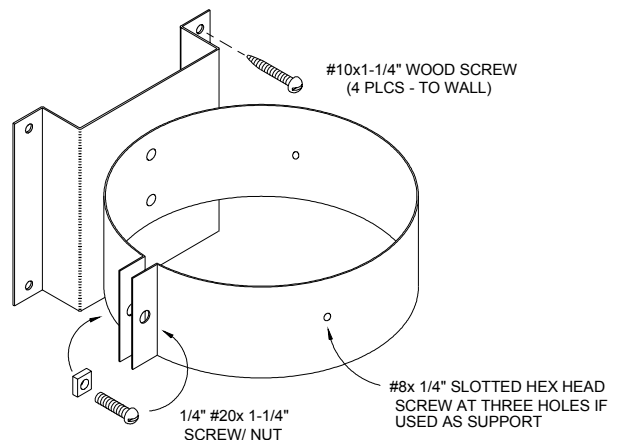
## WALL SUPPORT/BAND ASSEMBLY Installation Instructions

to further secure the assembly. To do so, first install the assembly as indicated above for a wall band, then with a 1/16" drill bit, carefully drill holes through the outside of the vent section (ONLY), using the holes in the band as a guide. Complete the assembly by inserting the #8 x 1/4" hex head screws through the holes (2 screws for 3" through 6", 3 screws for 7" and 8" diameter vent) and tightening.

**NOTES:** WHEN DRILLING OUTER WALL OF VENT BE CAREFUL TO DRILL THROUGH THE OUTER WALL ONLY, NOT THE INNER WALL.

REMEMBER TO MAINTAIN MINIMUM 1" AIRSPACE CLEARANCE TO COMBUSTIBLES FROM THE OUTSIDE OF THE VENT.

**CAUTION:** WEAR GLOVES WHILE HANDLING METAL PARTS TO AVOID PERSONAL INJURY, SHARP EDGES OR PROJECTIONS CAN CUT YOU.



WALL BAND/ SUPPORT ASSEMBLY

**WARNING**

Failure to follow the installation instructions could cause FIRE, CARBON MONOXIDE POISONING, OR DEATH. If you are unsure of installation requirements, call the Phone Number listed on the instructions, 1.800.443.6341 or visit [www.selkirkcorp.com](http://www.selkirkcorp.com).