

Your Complete Wood Stove Venting Solution

MODEL CF
Sentinel
WOOD STOVE CHIMNEY



INSTALLATION PLANNING GUIDE



Getting Started

Before you begin, determine the (inner) diameter of your Chimney.

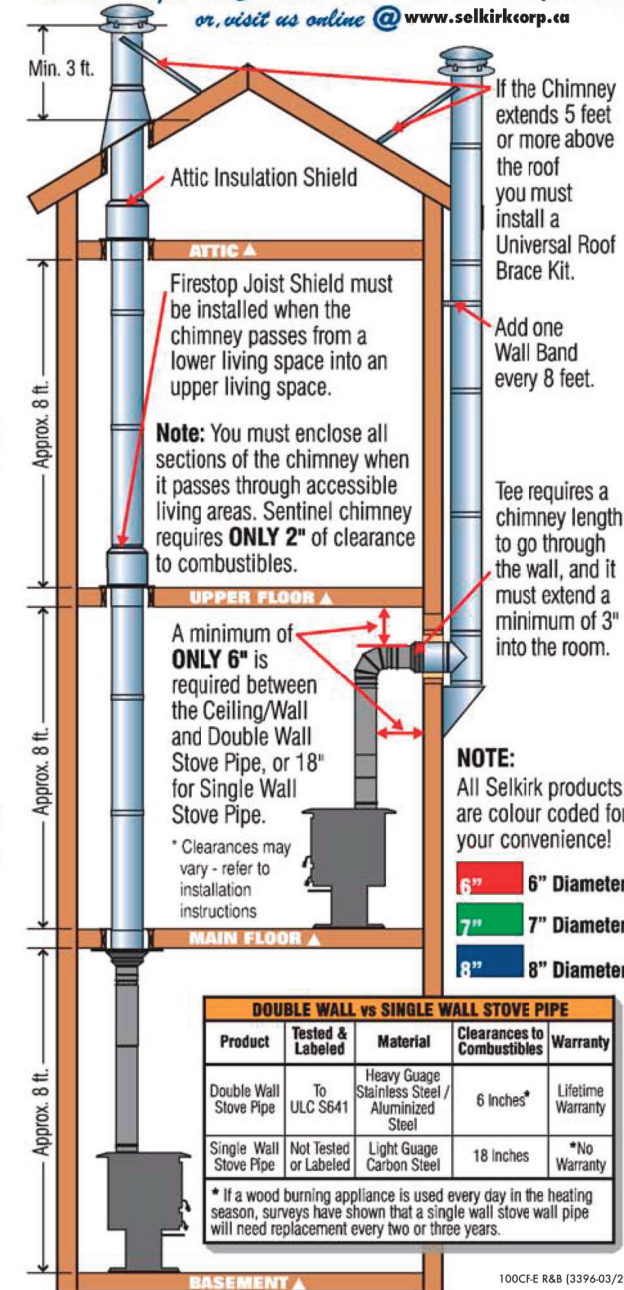


This is usually the same size (6", 7" or 8") as the flue collar on your wood stove.



Helpful Installation Tips

Need Help? ... Contact us at: 1-888-SELKIRK (735-5475) or visit us online @ www.selkirkcorp.ca



100CFE R&B [3396-03/20]

Selkirk Canada Corporation
950 South Service Road
Second Floor
Stoney Creek, ON L8E 6A2
Toll Free: 1.888.SELKIRK (735-5475)
cscanada@selkirkcorp.com

www.selkirkcorp.ca

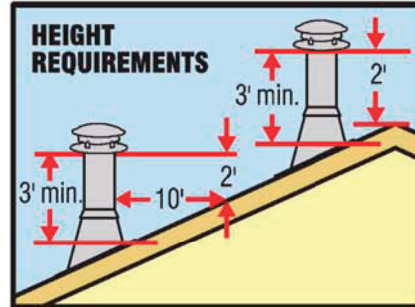
STEP 2 - Determine the number of Chimney Lengths Required

This chart will help determine chimney lengths required.

CHIMNEY LENGTH SELECTION CHART											
Chimney Height	Lengths Required			Chimney Height	Lengths Required			Chimney Height	Lengths Required		
	36"	18"	12"		36"	18"	12"		36"	18"	12"
4'	1	1	-	12 1/2'	4	-	1	20'	7	-	-
5'	1	1	1	13'	4	1	-	21'	7	-	1
5 1/2'	2	-	-	14'	4	1	1	22'	7	1	-
6 1/2'	2	-	1	14 1/2'	5	-	-	22 1/2'	7	1	1
7'	2	1	-	15 1/2'	5	-	1	23'	8	-	-
8'	2	1	1	16'	5	1	-	24'	8	-	1
8 1/2'	3	-	-	17'	5	1	1	24 1/2'	8	1	-
9 1/2'	3	-	1	17 1/2'	6	-	-	25 1/2'	8	1	1
10'	3	1	-	18'	6	-	1	26'	9	-	-
11'	3	1	1	19'	6	1	-	27'	9	-	1
11 1/2'	4	-	-	19 1/2'	6	1	1				

The chimney must extend at least 3' above the highest point where it passes through the roof surface and at least 2' higher than any part of the building within a horizontal distance of 10'.

NOTE: When calculating the installed length of your chimney subtract 1" for each joint & include the Height Requirements shown in this illustration.



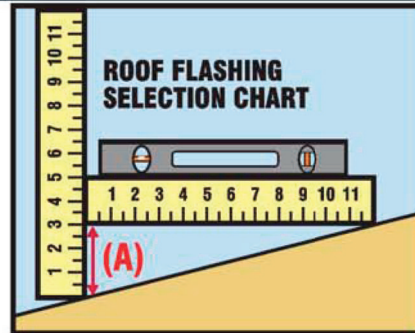
STEP 3 - Verify the proper Roof Flashing required for your installation

To determine which Roof Flashing you require, work out the pitch of your roof.

Roofs with low inclines require a 0/12 - 6/12 Roof Flashing:

Roofs with steep inclines require a 7/12 - 12/12 Roof Flashing:

To calculate your roof pitch use one of the 12 inch rulers to measure the number of inches (A) from the end of the other ruler down to the roof. (as shown in this illustration) For example: If (A) equals 3" then the roof pitch is 3/12.

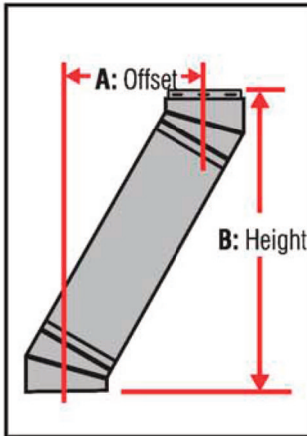


STEP 4 - For Ceiling Support Installations Only

If an offset is required to avoid rafters or other obstructions.

Measure the horizontal distance required and the vertical height available.

Refer to the Chimney Offset Chart.



** Refer to installation instructions for addition information on offsets

15° OFFSET CHART							
Elbow	Chimney Lengths	6" Diameter		7" Diameter		8" Diameter	
		A	B	A	B	A	B
2x15°	9" chimney length	3-3/4"	18-1/2"	3-5/8"	18-7/8"	3-5/8"	19-1/4"
2x15°	12" chimney length	4-1/2"	20-3/8"	4-1/8"	20-3/4"	4-1/8"	20-7/8"
2x15°	18" chimney length	5-5/8"	26-1/8"	5-3/4"	26-1/2"	5-3/4"	26-3/4"
2x15°	36" chimney length	10-3/8"	43-7/8"	10-1/2"	44-1/8"	10-1/2"	44-1/2"

30° OFFSET CHART							
Elbow	Chimney Lengths	6" Diameter		7" Diameter		8" Diameter	
		A	B	A	B	A	B
2x30°	9" chimney length	7-3/4"	20"	8"	20-1/2"	8-1/8"	21-3/16"
2x30°	12" chimney length	8-5/8"	21-1/2"	8-7/8"	22-1/4"	9"	22-3/4"
2x30°	18" chimney length	11-3/4"	26-3/4"	11-7/8"	27-3/8"	12"	28"
2x30°	36" chimney length	20-7/8"	42-5/8"	21"	43-3/16"	21-1/4"	43-7/8"

STEP 5 - Determine the Double Wall Stove Pipe parts needed to complete your installation

DOUBLE WALL vs SINGLE WALL STOVE PIPE				
Product	Tested & Labeled	Material	Clearances to Combustibles	Warranty
Double Wall Stove Pipe	To ULC S641	Heavy Gauge Stainless Steel / Aluminized Steel	6 inches*	Lifetime Warranty
Single Wall Stove Pipe	Not Tested or Labeled	Light Gauge Carbon Steel	18 inches	*No Warranty

* If a wood burning appliance is used every day in the heating season, surveys have shown that a single wall stove wall pipe will need replacement every two or three years.

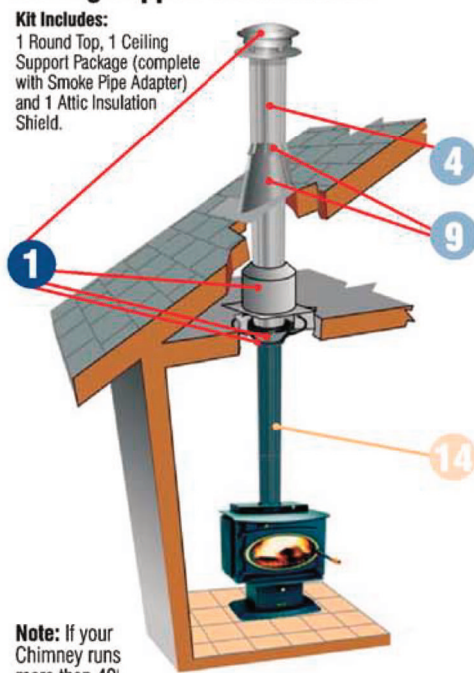
STEP 1 - Select the type of installation by determining where your chimney will run.

Installations may vary, please refer to the installation instructions @ www.selkirkcorp.ca

Installation Planning Work Sheet

Diameter Required: 6" 7"

Ceiling Support Installation A

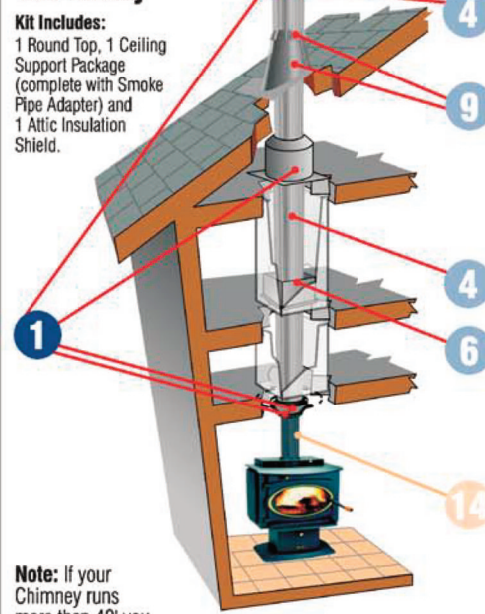


Kit Includes:
1 Round Top, 1 Ceiling Support Package (complete with Smoke Pipe Adapter) and 1 Attic Insulation Shield.

Note: If your Chimney runs more than 40' you must install a Roof Support.

Parts identified by 1 are Included in Ceiling Support Kit

Ceiling Support Installation B Two Storey

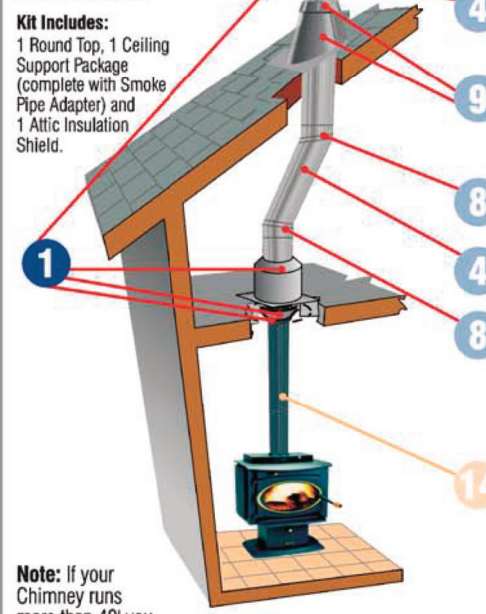


Kit Includes:
1 Round Top, 1 Ceiling Support Package (complete with Smoke Pipe Adapter) and 1 Attic Insulation Shield.

Note: If your Chimney runs more than 40' you must install a Roof Support.

Parts identified by 1 are Included in Ceiling Support Kit

Ceiling Support Installation C with Offset

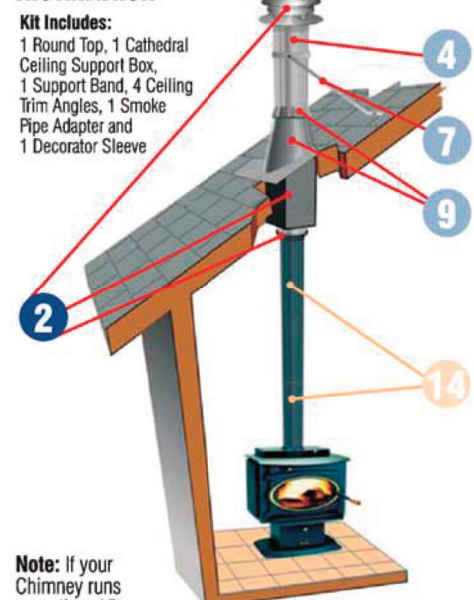


Kit Includes:
1 Round Top, 1 Ceiling Support Package (complete with Smoke Pipe Adapter) and 1 Attic Insulation Shield.

Note: If your Chimney runs more than 40' you must install a Roof Support.

Parts identified by 1 are Included in Ceiling Support Kit

Cathedral Ceiling Support Installation

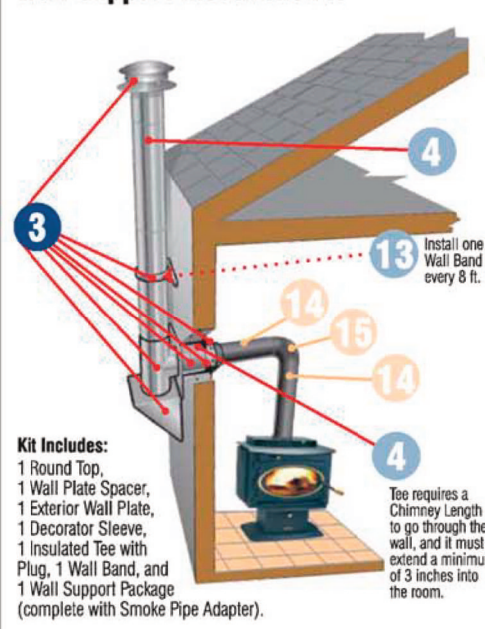


Kit Includes:
1 Round Top, 1 Cathedral Ceiling Support Box, 1 Support Band, 4 Ceiling Trim Angles, 1 Smoke Pipe Adapter and 1 Decorator Sleeve

Note: If your Chimney runs more than 15' you must install a Roof Support.

Parts identified by 2 are Included in Cathedral Ceiling Support Kit

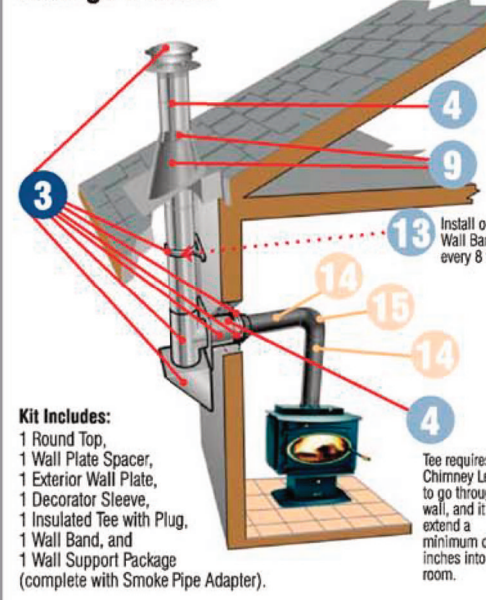
Wall Support Installation A



Kit Includes:
1 Round Top, 1 Wall Plate Spacer, 1 Exterior Wall Plate, 1 Decorator Sleeve, 1 Insulated Tee with Plug, 1 Wall Band, and 1 Wall Support Package (complete with Smoke Pipe Adapter).

Parts identified by 3 are Included in Wall Support Kit

Wall Support Installation B Through a Soffit



Kit Includes:
1 Round Top, 1 Wall Plate Spacer, 1 Exterior Wall Plate, 1 Decorator Sleeve, 1 Insulated Tee with Plug, 1 Wall Band, and 1 Wall Support Package (complete with Smoke Pipe Adapter).

Parts identified by 3 are Included in Wall Support Kit

Note: If your Chimney runs more than 40' you must install a Roof Support.

NOTE: Asterisk "*" shown in Part #'s represents diameter required

MODEL	CF SENTINEL WOOD STOVE CHIMNEY PARTS	Part #	Price	QTY	TOTAL
1	Ceiling Support Kit	*CF-CSK	\$	X	=
2	Cathedral Ceiling Support Kit	*CF-CCSK	\$	X	=
3	Wall Support Kit	*CF-WSK	\$	X	=
4	Chimney Lengths (See Step 2)	36" Length	*CF-36	\$	X =
		24" Length	*CF-24	\$	X =
		18" Length	*CF-18	\$	X =
		12" Length	*CF-12	\$	X =
		9" Length	*CF-9	\$	X =
6	Firestop Joist Shield (see Ceiling Support Installation B)	*CF-JS	\$	X	=
7	Universal Roof Brace Kit (If Chimney extends 5' or more above Roof Line) (see Cathedral Ceiling Support Installation)	URBK	\$	X	=
8	Elbow Kit (See Step 4) If Offset is Required add one of these Elbow Kits (See Ceiling Support Installation C)	150° Kit (2 elbows/kit)	*CF-EL15K	\$	X =
		300° Kit (2 elbows/kit)	*CF-EL30K	\$	X =
		Roof Flashing with Storm Collar (See Step 3)			
	Adjustable 0/12 - 6/12	*CF-FRA-A	\$	X =	
	Adjustable 7/12 - 12/12	*CF-FRA-P	\$	X =	
Not Illustrated	Roof Support (Required if Chimney runs more than 40 ft.)	URSP	\$	X	=
Not Illustrated	Spark Arrestor (Add to Round Top to prevent sparks from falling on roof. Also keeps birds & small animals from entering Chimney)	*CF-SA	\$	X	=
13	Wall Band (See Wall Support Installations)	*CF-WB	\$	X	=

DOUBLE WALL STOVE PIPE PARTS

	Pipe Lengths	E-VENT #'s	DSP #'s		
	36" Fixed Length	EV*36	DSP*P36-1	\$	X =
	24" Fixed Length	EV*24	DSP*P24-1	\$	X =
	12" Fixed Length	EV*12	DSP*P12-1	\$	X =
	6" Fixed Length	EV*06	DSP*P6-1	\$	X =
	Telescopic Length	EV*70	DSP*TL	\$	X =
	Adjustable Length	EV*-*ADJ	DSP*AL-1	\$	X =
Not Illustrated	450° Elbow	EV*45	DSP*E4-1	\$	X =
Not Illustrated	90° Elbow	EV*90	DSP*E9-1	\$	X =
Not Illustrated	Tee (includes Cap)	EV*T	DSP*TE-1	\$	X =
Not Illustrated	Masonry Adapter	EV*MC	DSP*MA	\$	X =
Not Illustrated	Stove Adapter	EV*SA	DSP*SA-1	\$	X =
Not Illustrated	Damper Kit	N/A	DSP*DK-1	\$	X =
Not Illustrated	Finishing Band (Universal)	EV-FB	DSP-FB	\$	X =
Not Illustrated	Insulated Wall Thimble	SC*IT	DSP*IWT	\$	X =

8" SKU's may vary - see dealer for details.

TOTAL \$