



MODEL CF
Sentinel[®]

The All Stainless Steel Chimney for Wood Stoves

FUEL TYPE: Wood | Gas | Oil | Coal

CANADA ONLY



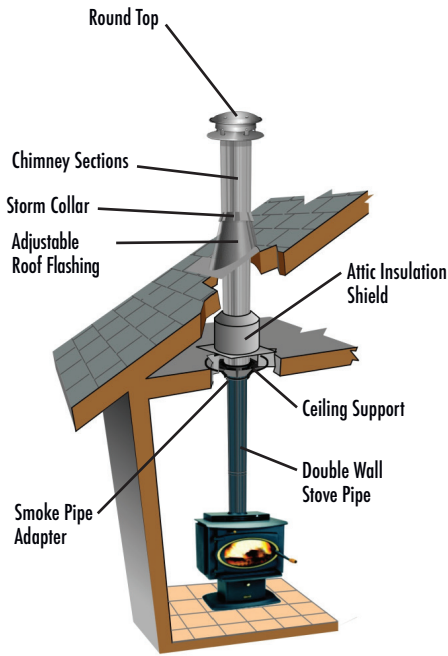
TABLE OF CONTENTS

Typical Installation	3
Technical Data Sheet	4
Stainless Steel Chimney Lengths	5
Stainless Steel Elbows and Tees.....	6-7
Supports	8
Shields.....	9-10
Flashings and Storm Collars	11
Rain Cap	12
Parts and Accessories	13-14
Support Kits.....	15
Limited Lifetime Warranty	16

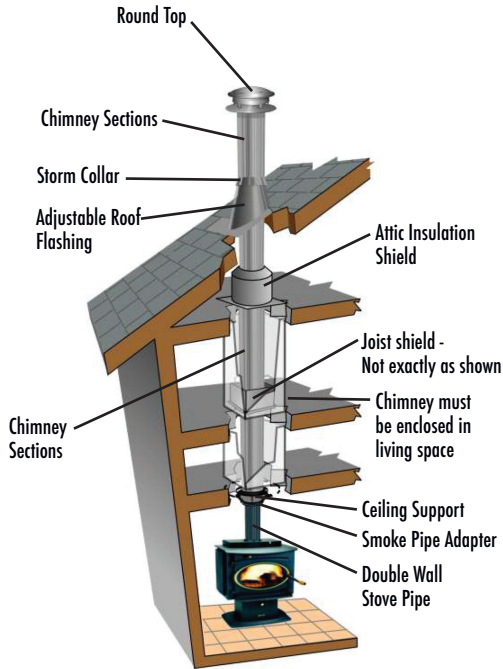
Typical Installation

CEILING SUPPORT INSTALLATIONS

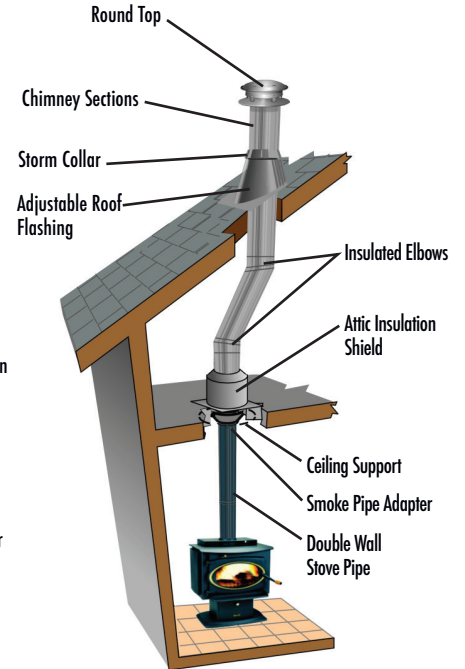
One Story



Two Story

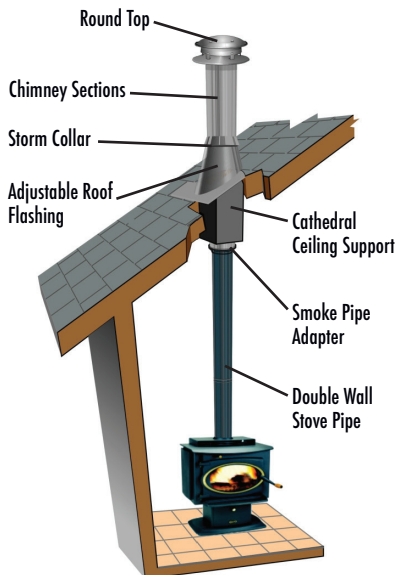


Elbow Installation



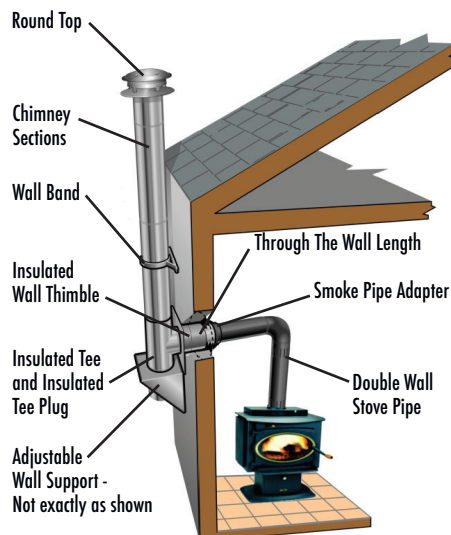
CATHEDRAL CEILING SUPPORT INSTALLATION

Cathedral Ceiling Support

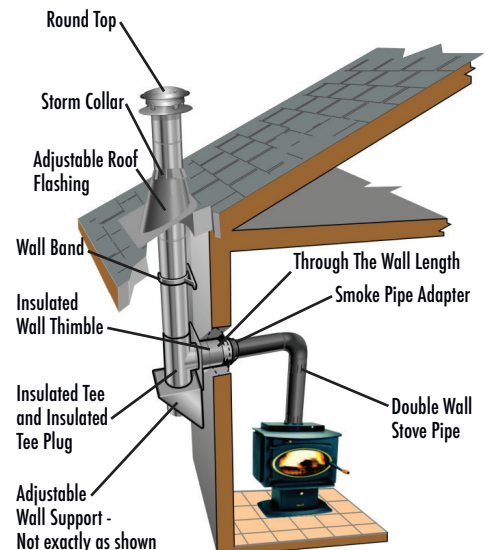


WALL SUPPORT INSTALLATIONS

One Story



Through a Soffit



NOTE: Wall Support Kit includes Insulated Wall Thimble

SENTINEL WOOD APPLIANCE CHIMNEY

THE "PEACE OF MIND" CHIMNEY SYSTEM

Selkirk leads the way with a safer chimney for wood burning appliances. Model CF Sentinel takes the worry out of chimney fires with unique design features engineered into the product for added safety and performance.

Sentinel's unique design combines 2 different alloys of stainless steel, for inner and outer pipes, with more than 2 inches of premium fibre insulation. When installed, Sentinel's unique Web Coupler allows the insulation to form a continuous column of protection from one chimney length to the next. This minimizes hot spots and leakage at the joints. Selkirk's Sentinel chimney contains more insulation than other chimney brands for superior insulating value and fire protection. More insulation = better insulating value. Better insulating value helps keep stack temperatures high, enhancing "draw" and reducing condensation and creosote build-up (the most common cause of chimney fires).

The Stainless Steel Inner Liner and Outer Casing of Sentinel are welded along the seam for added strength and to resist moisture penetration. Sentinel Chimney is secured at each joint by a Locking Band, which is supplied with each insulated Length, Tee and Elbow. Some other chimney systems may use screws to secure chimney lengths - this is often the point of rust, corrosion or moisture penetration.

GENERAL SPECIFICATIONS FOR MODEL CF SENTINEL CHIMNEY

Model CF factory-built chimney has been laboratory tested & listed by Underwriter's Laboratories Inc for use up to 2100°F (1150°C) with gas, oil and solid fuel-fired residential and building heating appliances in accordance with Standard CAN/ULC-S629.

Temperatures used in this standard are:

Normal Firing: 1200°F (650°C) continuous firing

Over Firing: 1700°F (925°C) for duration of 60 minutes

Creosote Burn Out: 2100°F (1150°C) for three firings x 30 minutes each

Model CF Sentinel chimney (6", 7" and 8" inner diameter sizes) may be used for gas, oil (some coal) and all wood fired residential appliances including cooking ranges, heating stoves, fireplaces, central furnaces, floor furnaces, steam and hot water boilers, recessed heaters, unit heaters and water heaters. Model CF may also be used for masonry fireplaces and domestic type incinerators.

Sentinel's supports are capable of supporting four times the combined weight of the chimney installation, at the maximum height given for the specific support.

Chimneys passing through occupied portions of the building may be enclosed in combustible material provided a 2" air space clearance maintained. Such enclosures must be firestopped at every floor penetration with Model CF parts designed for this purpose.

FRAMING AND SUPPORT TABLE

Sentinel Chimney Model CF	Dimensional Data (inches)		
Size, inches, inside	6	7	8
Outside diameter	10.5	11.75	13.0
Enclosure and framing	14.5 x 14.5	15.75 x 15.75	17.0 x 17.0
Ceiling support framing*	14 3/8 x 14 3/8	14 3/8 x 14 3/8	14 3/8 x 14 3/8
Approx. weight, lbs./ft.	8	9	10.5

Maximum Height For All Supporting Methods (Feet)

Ceiling Support Package (CSP)	40	40	40
Cathedral Box	15	15	15
Interior Resupport Assembly/ Offset Support (ISA/OS)	30	30	30
Wall Support Package (WSP)	40	40	40
Roof Support(RSP)**	30	30	30
Anchor Plate (AP)	85	85	85

Minimum Clearance To Combustibles 2 inches Minimum All Sizes

* The clearance to combustibles obtained with a correctly installed Ceiling Support Assembly in the framed opening specified has been tested. The 2" clearance does not apply at this location.

** Note: Twenty (20) feet of chimney may be suspended below a Roof Support using a Locking Band and screws at each joint.

Sentinel Chimney Features & Benefits

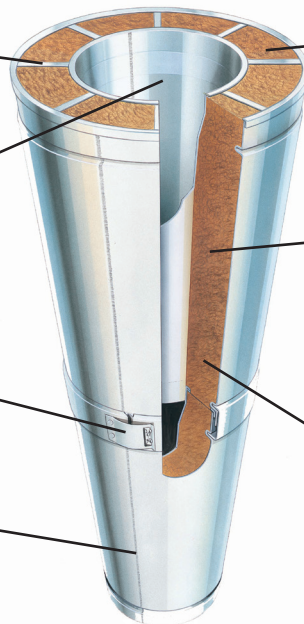
Selkirk invented pre-fabricated chimney in the 1930's, & has proudly manufactured Model CF Sentinel chimney in North America since 1982. When purchasing a Wood Stove Chimney you should consider the following facts to see how Selkirk stacks up to the competition.

Web Coupler: Allows for expansion of the inner and outer pipes without fear of buckling in the event of a chimney fire. It also significantly reduces the possibility of heat transfer at the joint.

Free-floating Inner Liner: Allows the inner liner to expand under extreme temperatures. Enables Sentinel to contain chimney fires without buckling.

Spring-Clip Locking Band: Included with each insulated length, tee and elbow, engages quickly, using simple thumb pressure to positively lock together each of the components. No tools required.

Our **continuous - welded seams** give the Sentinel Chimney exceptional strength while eliminating moisture penetration into the insulation.



Insulation-to-Insulation Contact Creates a continuous column of protection which eliminates cold air infiltration at every chimney joint. This feature significantly reduces the formation of creosote and therefore the potential for chimney fires.

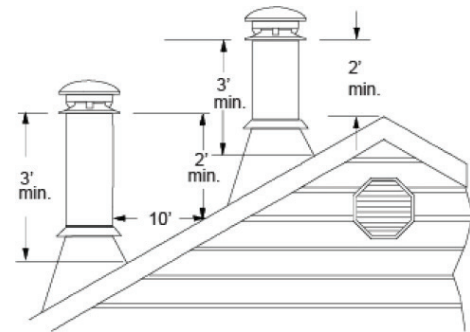
Size Matters! More insulation = better insulating value. Sentinel chimneys contain more than two inches of premium fibre insulation for superior insulating value and fire protection. Some competitors will claim to meet the stringent Canadian 2100^a standard with less insulation. Sentinel will not only meet, but exceed the 2100^a standard by a wide margin over the competition.

Solid-Pack Insulation: Provides maximum safety and performance. Sentinel's unique solid-pack design helps keep flue temperatures high (performance) and outer temperatures low (safety).

Stainless Steel Chimney Lengths

The chimney must extend at least three feet above the highest point where it passes through the roof surface and at least two feet higher than any part of the building within a horizontal distance of ten feet.

HEIGHT REQUIREMENTS



- Each length includes a Spring-Clip Locking Band.
- Sectional overlap of 1".
- Chimneys are sized according to the inner diameter and are available in 6", 7" and 8".
- Chimney sections are available in 36", 24", 18", 12", and 9" lengths.

Size	A	B	C	Order #	Product Code	Pack
6" x 9"	9"	6"	10-1/2"	0521406	6CF-9	1
6" x 12"	12"	6"	10-1/2"	0521206	6CF-12	1
6" x 18"	18"	6"	10-1/2"	0521106	6CF-18	1
6" x 24"	24"	6"	10-1/2"	0521006	6CF-24	1
6" x 36"	36"	6"	10-1/2"	0520306	6CF-36	1
7"						
7" x 9"	9"	7"	11-3/4"	0521407	7CF-9	1
7" x 12"	12"	7"	11-3/4"	0521207	7CF-12	1
7" x 18"	18"	7"	11-3/4"	0521107	7CF-18	1
7" x 24"	24"	7"	11-3/4"	0521007	7CF-24	1
7" x 36"	36"	7"	11-3/4"	0520307	7CF-36	1
8"						
8" x 9"	9"	8"	13"	0521409	8CF-9	1
8" x 12"	12"	8"	13"	0521209	8CF-12	1
8" x 18"	18"	8"	13"	0521108	8CF-18	1
8" x 24"	24"	8"	13"	0521109	8CF-24	1
8" x 36"	36"	8"	13"	0520308	8CF-36	1

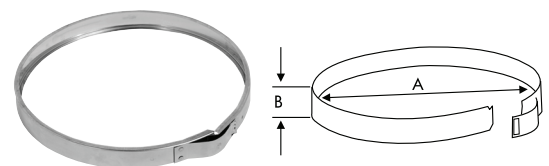
CHIMNEY SECTIONS



- All Stainless Steel construction.
- Spring-Clip locking mechanism.
- Only requires simple thumb pressure to positively lock into place - No tools required.

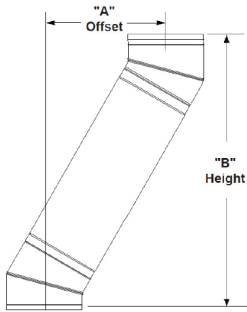
Size	A	B	Order #	Product Code	Pack
6"	10-1/2"	1-1/4"	0529306	6CF-LB(SS)	4
7"	11-3/4"	1-1/4"	0529307	7CF-LB(SS)	4
8"	13"	1-1/4"	0529308	8CF-LB(SS)	4

LOCKING BANDS



Stainless Steel Elbows & Tees

CHIMNEY OFFSET CHARTS



One pair of Elbows can be used to provide a sloped offset of 15° or 30°. An offset data table is supplied to determine the offset desired and the offset height.

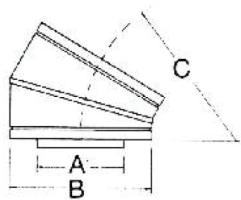
Offset Elbow	Length	6" Diameter		7" Diameter		8" Diameter	
		A	B	A	B	A	B
2 x 15°	9"	3-3/4"	18-1/2"	3-5/8"	18-7/8"	3-5/8"	19-1/4"
2 x 15°	12"	4-1/2"	20-3/8"	4-1/8"	20-3/4"	4-1/8"	20-7/8"
2 x 15°	18"	5-5/8"	26-1/8"	5-3/4"	26-1/2"	5-3/4"	26-3/4"
2 x 15°	24"	7-1/8"	32"	7-1/8"	32-5/8"	8"	32-3/4"
2 x 15°	36"	10-3/8"	43-7/8"	10-1/2"	44-1/8"	10-1/2"	44-1/2"
2 x 30°	9"	7-3/4"	20"	8"	20-1/2"	8-1/8"	21-3/16"
2 x 30°	12"	8-5/8"	21-1/2"	8-7/8"	22-1/4"	9"	22-3/4"
2 x 30°	18"	11-3/4"	26-3/4"	11-7/8"	27-3/8"	12"	28"
2 x 30°	24"	14-3/8"	31-7/8"	15-1/4"	33"	14-1/2"	34-1/4"
2 x 30°	36"	20-7/8"	42-5/8"	21"	43-3/16"	21-1/4"	43-7/8"

The vertical run of chimney above an offset must be supported using an Interior Resupport Assembly securely clamped to the pipe just above a Locking Band, with its straps nailed to a nearby structure.

INSULATED 15° AND 30° ELBOWS

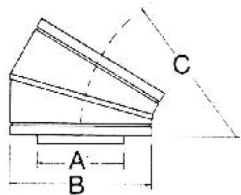
- The insulated elbow is used when an offset is required.
- Locking Bands must be used on all elbows with the supplied securing screws.
- A maximum of 6 feet is allowable between elbows.
- Elbow is fully insulated and can be used at the same 2" clearance as chimney lengths.
- Elbow support must be used with all offset installations.
- Elbows can be rotated to attain optimum positioning offset, and allow chimney to return to correct vertical alignment, prior to installing Locking Bands.
- Each Elbow Kit consists of two Elbows, two Locking Bands, one Interior Resupport Assembly and hardware pack.

15° ELBOW KIT



Size	A	B	C	Order #	Product Code	Pack
15° - 6"	6"	10-1/2"	19-3/8"	0522406	6CF-EL15K	1
15° - 7"	7"	11-3/4"	20"	0522407	7CF-EL15K	1
15° - 8"	8"	13"	20-5/8"	0522409	8CF-EL15K	1

30° ELBOW KIT



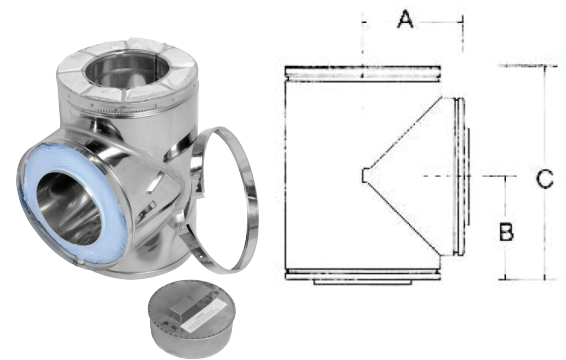
Size	A	B	C	Order #	Product Code	Pack
30° - 6"	6"	10-1/2"	12-1/4"	0522306	6CF-EL30K	1
30° - 7"	7"	11-3/4"	12-7/8"	0522307	7CF-EL30K	1
30° - 8"	8"	13"	13-1/2"	0522308	8CF-EL30K	1

Stainless Steel Elbows & Tees *continued*

- The Insulated Tee is used for a through-the-wall installation using a Wall Support Package.
- A chimney length is attached to the tee branch using a Locking Band to pass safely through a wall.
- Maximum height of chimney supported by the Insulated Tee fixed to a Wall Support is 40'.
- Each Tee includes an Insulated Tee Plug.

Size	A	B	C	Order #	Product Code	Pack
6"	7-5/8"	7-5/8"	15-1/2"	0524306	6CF-IT	1
7"	8-1/4"	8-1/4"	16-3/4"	0524307	7CF-IT	1
8"	8-7/8"	8-7/8"	18"	0524308	8CF-IT	1

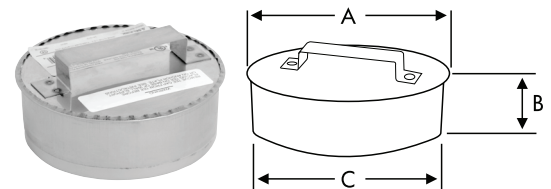
INSULATED TEE



- The Insulated Tee Plug is used to seal the base of an Insulated Tee.
- The Tee Plug is easily removed for chimney maintenance or inspection.
- Insulated to maintain flue gas temperatures.

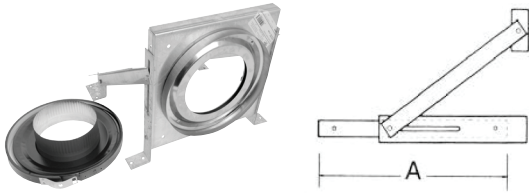
Size	A	B	C	Order #	Product Code	Pack
6"	6-3/8"	2"	5-15/16"	0514506	6CF-ITP	4
7"	7-3/8"	2"	6-15/16"	0514507	7CF-ITP	4
8"	8-3/8"	2"	7-15/16"	0514508	8CF-ITP	4

INSULATED TEE PLUG



Support

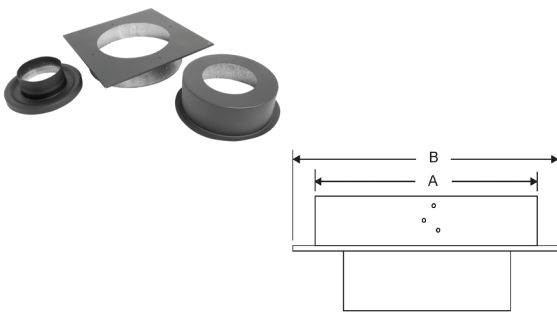
WALL SUPPORT PACKAGE



- Used to support the chimney on a through-the-wall installation.
- Will support up to 40 feet of chimney.
- Includes Base Plate, Wall Bracket, Angle Bracing, Hardware and a black Smoke Pipe Adapter.

Size	A	Order #	Product Code	Pack
6"	11-7/8"	0512806	6CF-WSP	1
7"	12-3/4"	0512807	7CF-WSP	1
8"	14-3/8"	0512808	8CF-WSP	1

CEILING SUPPORT PACKAGE



- For use in flat ceiling support installations.
- Will support up to 40 feet of chimney.
- Decorative matte black finish.
- Includes Ceiling Support and a two piece Smoke Pipe Adapter.

Size	A	B	Order #	Product Code	Pack
6"	14-1/4"	16-17/32"	0544606	6CF-CBSP	1
7"	14-1/4"	16-17/32"	0544607	7CF-CBSP	1
8"	14-1/4"	16-17/32"	0544608	8CF-CBSP	1

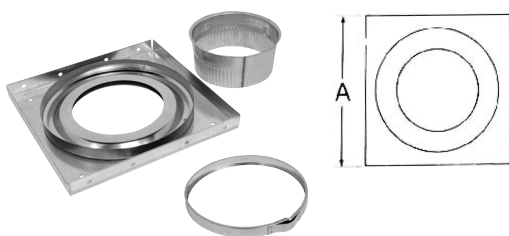
ROOF SUPPORT PACKAGE (UNIVERSAL)



- The roof support may be used on a floor, ceiling or roof and adjusts to any roof pitch.
- It may be used above an offset to support the offset or as a supplementary support when the chimney height exceeds that of the primary support.
- The Roof Support will support a total height of 30 feet of chimney, 20 feet of which can be suspended beneath it.
- Includes 2 chimney plates, 2 roof brackets and hardware pack.

Size	Order #	Product Code	Pack
Universal	0522907	URSP	1

ANCHOR PLATE



- Provides a secure attachment for the Sentinel Chimney to a "Listed" appliance certified for use with Sentinel, or to a masonry fireplace.
- Includes Flue Extension, Base Plate and Locking Band.
- Supports up to 85' of chimney.

Size	A	Order #	Product Code	Pack
6"	11-7/8"	0519906	6CF-AP	1
7"	12-3/4"	0519907	7CF-AP	1
8"	14-3/8"	0519908	8CF-AP	1

Shields

- Required where the chimney passes from a lower living space into an upper living space.
- Maintains the mandatory 2" clearance to combustibles.

Size	A	B	Order #	Product Code	Pack
6"	12"	19-1/4"	0519106	6CF-JS	1
7"	13-1/4"	20-1/2"	0519107	7CF-JS	1
8"	14-1/2"	21-3/4"	0519108	8CF-JS	1

- The AIS must be installed where the chimney enters the attic space in a ceiling supported (interior) installation.
- Designed to keep insulation away from the chimney, and to maintain the mandatory 2" clearance to combustibles.
- One piece, round design.

Size	A	B	C	D	E	Order #	Product Code	Pack
6"	10-5/8"	14-1/4"	12-1/4"	14-1/4"	17"	0543406	6CF-AIS	1
7"	11-7/8"	15-1/2"	13-1/2"	15-1/2"	18-1/4"	0543407	7CF-AIS	1
8"	13-1/8"	16-3/4"	14-3/4"	16-3/4"	19-1/2"	0543408	8CF-AIS	1

The AIS allows for a depth of 10" of insulation plus the depth of the ceiling.

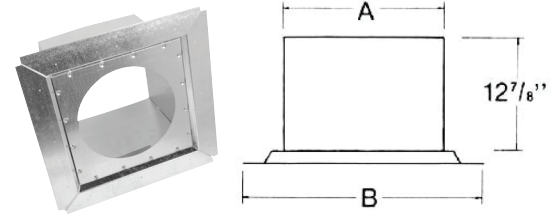
- May be used in a through-the-wall installation, in place of a Wall Plate Spacer and Exterior Wall Plate.
- Radiation Shield is included with spacers which maintain the mandatory 2" clearance to combustibles.
- Decorative matte black finish eliminates the need to frame the opening in wall.
- Insulated to reduce cold air infiltration.

Size	A	B	C	D	Order #	Product Code	Pack
6"	16-1/2"	16-1/2"	10-5/8"	6" to 11"	0528706	6CF-IWT	1
7"	17-3/4"	17-3/4"	11-7/8"	6" to 11"	0528707	7CF-IWT	1
8"	19"	19"	13-1/8"	6" to 11"	0528708	8CF-IWT	1

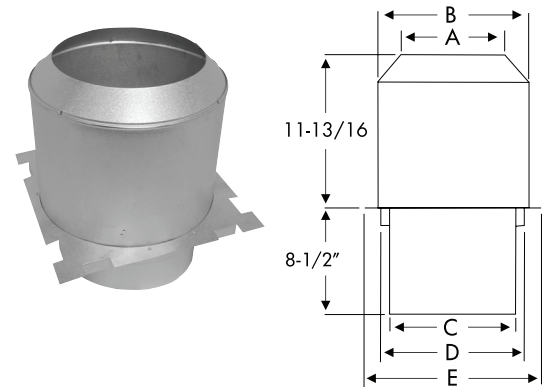
- Used to centre a Tee extension when installing through a combustible framed wall.
- Has louvers to provide ventilation and protection in the area through which the chimney extends.

Size	A	B	Order #	Product Code	Pack
6"	16-1/2"	10-5/8"	0518706	6CF-EWP	4
7"	17-3/4"	11-7/8"	0518707	7CF-EWP	4
8"	19"	13-1/8"	0518708	8CF-EWP	4

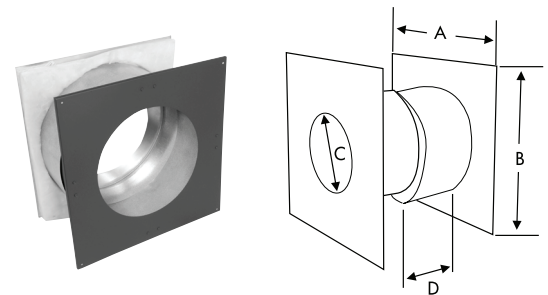
FIRESTOP JOIST SHIELD (FOR INTERMEDIATE FLOORS)



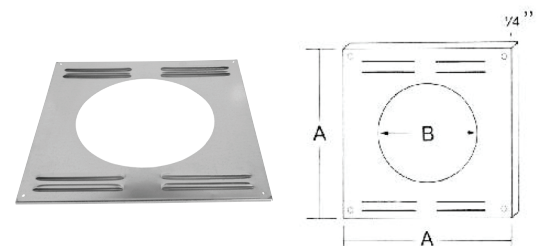
ATTIC INSULATION SHIELD/FIRESTOP



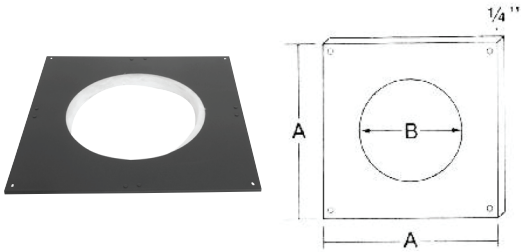
INSULATED WALL THIMBLE



EXTERIOR WALL PLATE



INSULATED WALL PLATE SPACER



- Used to centre a Tee extension when installing through a combustible framed wall.
- Decorative matte black finish.
- Insulated to reduce cold air infiltration.

Size	A	B	Order #	Product Code	Pack
6"	12"	19-1/4"	0528506	6CF-WPS	1
7"	13-1/4"	20-1/2"	0528507	7CF-WPS	1
8"	14-1/2"	21-3/4"	0528508	8CF-WPS	1

SUSI - UNIVERSAL SHIELDING INSULATION



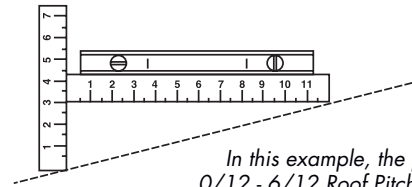
- Insulation for use with:
 - Attic Insulation Shield (*CF-AIS)
 - Wall Thimble (*CF-IWT)
 - Cathedral Ceiling Support Kit (*CF-CCSK)
- Protects building materials against radiant heat from the chimney and helps maintain temperatures within the chimney system.
- Reduces cold air infiltration into the dwelling.

Size	Order #	Pack
Universal	0522908	1

Flashings and Storm Collars

To determine what roof flashing you'll require, you must work out the pitch of your roof. To determine the pitch, you'll need two rulers and a level. Measure the number of inches from the end of the level ruler down to the roof.

ROOF FLASHING SELECTION CHART

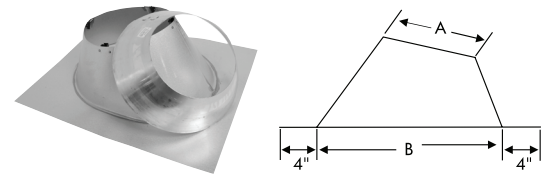


In this example, the pitch is 3/12.
0/12 - 6/12 Roof Pitch = *CF-FRA-A
6/12 - 12/12 Roof Pitch = *CF-FRA-P

- Used where the chimney passes through a roof with a pitch of Flat to 6/12.
- Comes complete with storm collar.

Size	A	B	Order #	Product Code	Pack
6"	12-1/2"	21"	0543306	6CF-FRA-A	4
7"	13-3/4"	21"	0543307	7CF-FRA-A	4
8"	15"	21"	0543308	8CF-FRA-A	4

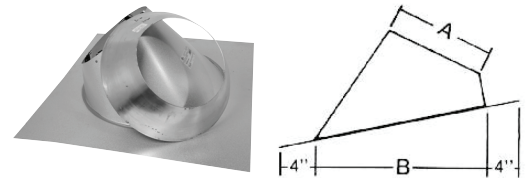
ADJUSTABLE ROOF FLASHING-FLAT TO 6/12 PITCH



- Used where the chimney passes through a roof with a pitch of 7/12 to 12/12.
- Comes complete with storm collar.

Size	A	B	Order #	Product Code	Pack
6"	11 3/4"	20-1/2"	0543706	6CF-FRA-P	4
7"	13"	22-1/4"	0543707	7CF-FRA-P	4
8"	14 1/4"	24"	0543708	8CF-FRA-P	2

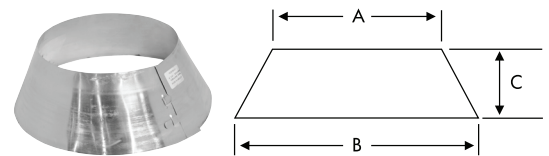
ADJUSTABLE ROOF FLASHING ASSEMBLY- 7/12 TO 12/12 PITCH



Used in conjunction with roof flashing to weather proof the system.

Size	A	B	C	Order #	Product Code	Pack
6"	10-1/2"	16-1/2"	4-5/8"	0514106	6CF-SC	4
7"	11-3/4"	17-3/4"	4-5/8"	0514107	7CF-SC	4
8"	13"	19-3/4"	4-5/8"	0514108	8CF-SC	4

STORM COLLAR



- Used for installation on corrugated roofs with pitches from flat to max. pitch of: 10/12 for 6", 9/12 for 7" and 7/12 for 8".
- Kits include Rubber Boot, Spacer Kit, Special Storm Collar and mounting hardware.

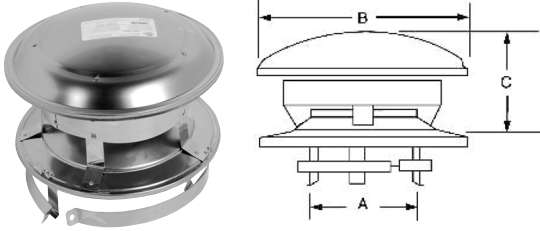
Size	Dimensions	Order #	Product Code	Pack
6" to 8"	26-3/4" x 26-3/4"	051275	URBFK2	1

RUBBER BOOT FLASHING KIT



Rain Cap

ROUND TOP - STAINLESS STEEL



- Advanced design, premium quality stainless steel.
- Prevents rain, snow, leaves or animals from entering the chimney.
- Can be used in conjunction with a Spark Arrestor.

Size	A	B	C	Order #	Product Code	Pack
6"	10-1/2"	12	5-1/2"	0527606	6CF-SRT	1
7"	11-3/4"	14"	6-1/4"	0527607	7CF-SRT	1
8"	13"	16"	7"	0527608	8CF-SRT	1

SPARK ARRESTER



Stainless steel mesh wire fits our Round Tops (*CF-SRT).

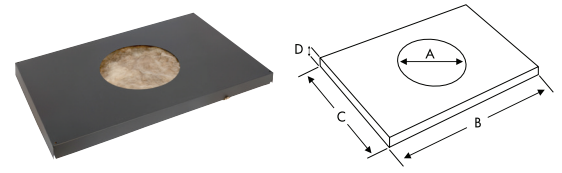
Size	Dimensions	Part #	Product Code	Pack
6"	12" x 6"	206791	6T-USA	4
7"	14" x 6"	207791	7T-USA	4
8"	16" x 6"	208791	8T-USA	4

Parts and Accessories

- Used with Roof Support in a Cathedral Ceiling Installation
- Matte black finish.
- Adjusts to multiple ceiling pitches.
- Covers 2" space around chimney for an attractive finish.
- Insulated to reduce cold air infiltration.
- Universal design for 6", 7" and 8" sizes.

Size	A	B	C	D	Order #	Product Code	Pack
Universal	9-15/16"	29"	19"	1-15/16"	0549507	7CF-FCP	1

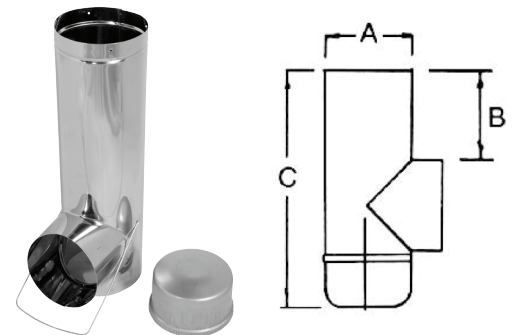
INSULATED FINISHED CEILING PLATE



- Always situated in a room with heating appliance.
- Cap on bottom can be removed for easy cleaning.
- Stainless steel construction.

Size	A	B	C	Order #	Product Code	Pack
6"	6"	13-1/2"	24"	0514706	6CF-CA	4
7"	7"	13-1/2"	25"	0514707	7CF-CA	4
8"	8"	13-1/2"	26"	0514708	8CF-CA	4

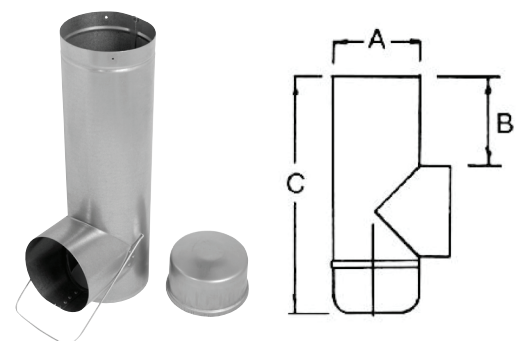
CLEANOUT TEE



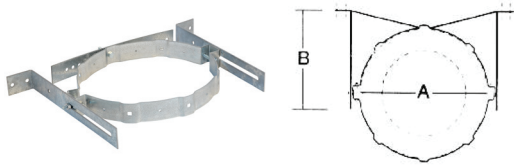
- Always situated in a room with heating appliance.
- Cap on bottom can be removed for easy cleaning.
- Galvanized steel construction.
- Not to be used for wood burning.

Size	A	B	C	Order #	Product Code	Pack
6"	6"	13-1/2"	24"	0514806	6CF-ST	4
7"	7"	13-1/2"	25"	0514807	7CF-ST	4
8"	8"	13-1/2"	26"	0514808	8CF-ST	4

STARTER TEE



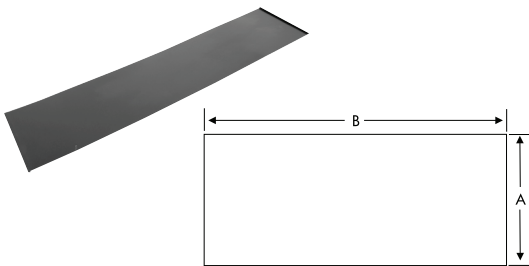
WALL BAND



- Steel construction.
- Provides lateral support for the chimney when installed adjacent to a wall.
- Maintains the mandatory 2" clearance to combustibles.
- Used 3 feet above the Wall Support, then every 8 feet thereafter.

Size	A	B	Order #	Product Code	Pack
6"	10-1/2"	11-1/4"	0518806	6CF-WB	4
7"	11-3/4"	11-1/4"	0518807	7CF-WB	4
8"	13"	11-1/4"	0518808	8CF-WB	4

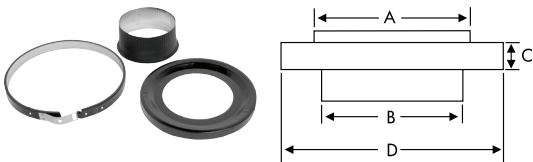
DECORATOR SLEEVE



- Matte black finish provides decorative finish to stainless steel components within the room with a Cathedral Ceiling Support or Through-The-Wall application.
- 8" wide, and may be trimmed to size.

Size	A	B	Order #	Product Code	Pack
6"	8"	33-1/2"	0517806	6CF-DS8	4
7"	8"	37-1/2"	0517807	7CF-DS8	4
8"	8"	41-3/8"	0517808	8CF-DS8	4

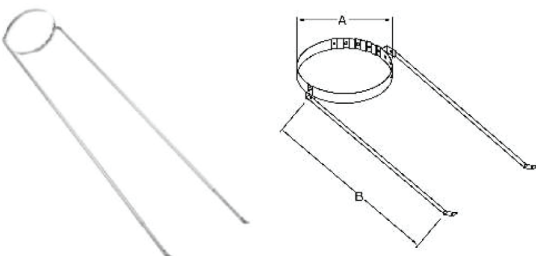
SMOKE PIPE ADAPTER



- For a transition from black stove pipe to Sentinel chimney.
- Connects to both single and double wall connector pipe.

Size	A	B	C	D	Order #	Product Code	Pack
6"	6"	5-7/8"	7/8"	10.5"	0519406	6CF-SPA	1
7"	7"	6-7/8"	7/8"	11.75"	0519407	7CF-SPA	1
8"	8"	7-7/8"	7/8"	13"	0519408	8CF-SPA	1

ROOF BRACE KIT



- Use one Roof Brace for every 5' of chimney above roof. (eg. 10' of chimney above roof = 2 x URBK).
- The kit includes two 4 foot rods and an adjustable band.
- Each rod extends to approximately 7-1/2 feet.
- The adjustable band will fit 6" to 8" size chimney.

Size	A	B	Order#	Product Code	Pack
Universal	10-1/2" to 13"	Up to 7-1/2'	0521507	URBK	1

Support Kits

SELKIRK HAS PUT TOGETHER 3 CHIMNEY KITS TO GET YOUR PROJECT DONE...

Selkirk has taken the guess work out of chimney installation by putting the most common parts for each installation all in one box. These 3 kits depict the most common installations. Simply decide which of these scenarios fits your need, then pick up your chimney lengths, roof flashing and elbows (if required).

When your chimney goes up through a flat ceiling and attic space, then thru the roof, you may choose the CEILING SUPPORT INSTALLATION KIT - *CF-CSK

- Stainless Round Top
- Attic Insulation Shield
- Ceiling Support Package (complete with Smoke Pipe Adaptor)

...Now you just need your roof flashing and chimney lengths

Size	Order #	Product Code
6"	0544706	6CF-CSK
7"	0544707	7CF-CSK

CEILING SUPPORT KIT



When your chimney goes out a cathedral or open beam ceiling, you may choose the CATHEDRAL CEILING SUPPORT INSTALLATION KIT - *CF-CCSK

- Stainless Round Top
- Cathedral Ceiling Support Box
- Support Band
- 4 Ceiling Trim Angles
- Smoke Pipe Adapter
- Decorator Sleeve

...Now you just need your roof flashing and chimney lengths

Size	Order #	Product Code
6"	0545206	6CF-CCSK
7"	0545207	7CF-CCSK
8"	0545208	8CF-CCSK

CATHEDRAL CEILING SUPPORT KIT



When your chimney goes out a wall and then runs straight up, you'll need the WALL SUPPORT INSTALLATION KIT - CF-WSK

- Stainless Round Top
- Wall Band
- Decorator Sleeve
- Insulated Wall Thimble
- Insulated Tee with Plug
- Wall Support Package (complete with Smoke Pipe Adapter)

...Now you just need: Vertical Chimney lengths & a Through-the-Wall length (must extend at least 3" into the room)

Size	Order #	Product Code
6"	0529806	6CF-WSK
7"	0529807	7CF-WSK

WALL SUPPORT KIT



Smart Choice Warranty

“SMART CHOICE” LIMITED LIFETIME WARRANTY

Selkirk Corporation, (“Selkirk”, “we”, “us”, “our”) warrants our residential Chimney & Venting products (* defined below) to be free from defects in material and workmanship. For products installed after January 1, 2009, for a period of Ten (10) years from original installation, we will provide replacement product with a similar or like quality of available Selkirk product, **free of charge**, excluding any installation costs. From the Eleventh (11) through Fifteenth (15) years, we will provide replacement product at a cost of 75% off the published Retail Price in effect on the date the claim is received, excluding any installation costs. At expiration of the Fifteen (15) year term, we will provide replacement product at a cost of 50% off the published Retail Price in effect on the date the claim is received excluding any installation costs. This warranty coverage is non-transferable and applies exclusively to the original consumer.

PROFESSIONAL INSTALLATION:

If installation is performed by Professional Installers certified in Canada by WETT or APC or in the USA by NFI or CSIA, we will provide replacement product with a similar or like quality of available product, free of charge (excluding any installation costs) for the full Fifteen (15) years from the date of original installation. To be eligible for this additional warranty the consumer must provide a proof of installation by a Professional Installer when submitting a claim.

LIMITATIONS:

BUYER’S REMEDIES ARE LIMITED TO REPAIR OR REPLACEMENT OF THE PRODUCT AND DO NOT INCLUDE INSTALLATION COSTS. EXCEPT AS SET FORTH HEREIN, ALL OTHER WARRANTIES (EXPRESS OR IMPLIED, INCLUDING THE WARRANTIES OF MERCHANTABILITY AND FITNESS FOR A PARTICULAR PURPOSE) ARE HEREBY DISCLAIMED. IT IS AGREED THAT THIS SHALL BE THE SOLE AND EXCLUSIVE REMEDY OF THE BUYER. IN NO EVENT SHALL WE BE LIABLE FOR ANY CONSEQUENTIAL, SPECIAL OR PUNITIVE DAMAGES ARISING DIRECTLY OR INDIRECTLY FROM THE USE OF THE PRODUCTS WHETHER BASED ON WARRANTY, CONTRACT NEGLIGENCE OR STRICT LIABILITY.

ALL LENGTHS, TEES, ELBOWS, AND COMPONENTS SUPPLIED BY US ARE SUBJECT TO WARRANTY COVERAGE. PRODUCT SUPPLIED BY US AS REPLACEMENT FOR ORIGINAL MATERIAL WILL BE SUBJECT TO A ONE-YEAR WARRANTY COVERAGE WITH THE EXCEPTION OF SAF-T PIPE WHICH IS SUBJECTED TO A 5 YEAR LIMITED WARRANTY COVERAGE FROM DEFECTS IN MATERIAL OR WORKMANSHIP WHEN PROPERLY INSTALLED PURSUANT TO THE MANUFACTURER’S INSTALLATION INSTRUCTIONS AND APPROPRIATE CODES.

WARNING: FAILURE TO INSTALL OR OPERATE PRODUCTS ACCORDING TO THE MANUFACTURER’S INSTRUCTIONS, OR FAILURE TO USE PRODUCTS WITH RESIDENTIAL APPLIANCES THAT HAVE BEEN CERTIFIED AT AN ACCREDITED LABORATORY WILL VOID ALL APPLICABLE WARRANTIES.

THIS WARRANTY DOES NOT COVER:

- (a) any non-stainless base tee unit mounted or connected to an Insulated Chimney system;
- (b) costs (labor or otherwise **) associated with either removing a previously installed product, installing a replacement product, transportation or return of a product, or transportation of replacement product;
- (c) damage to the finish of products caused by the use of improper solvents/chemicals or improper (or lack of) cleaning methods;
- (d) damage resulting from normal wear and tear or failure to reasonably clean, care for or maintain products in accordance with our installation instructions/recommendations;
- (e) damage (to products, appliances or structure) based on or resulting from improper installation or repair, misuse or abuse (including, but not limited to, excessive or improper operating condition), or alteration or adjustment other than in conformity with our installation instructions and specifications, whether performed by a contractor, service company, technician, or yourself;
- (f) any products that have been moved from their original installation site;
- (g) damage caused by burning driftwood, garbage, or any other prohibitive material that has been burned in the appliance served by the chimney;
- (h) damage that results from accidents such as fire, flood, high winds, “acts of God”, or any other contingency beyond our control.

** Due to the wide variance in installation practices and other conditions beyond our control, except as stated above, we do not guaranty or in any way warrant the installation of Chimney and Venting products.

CLAIM PROCEDURE: If you believe that a product is defective, notify us in writing at:

SELKIRK CANADA CORPORATION

P.O. Box 526, Depot 1
Hamilton, Ontario, CANADA, L8L 7X6
ATTN: WARRANTY CLAIMS
1.888.735.5475
www.selkirkcorp.ca

SELKIRK CORPORATION

4460 44th Street S.E., Suite F
Grand Rapids, MI 49512
ATTN: WARRANTY CLAIMS
1.800.433.6341
www.selkirkcorp.com

Notification should include a description of the product, model and serial number (if applicable) and a description of the product defect. Upon receipt of a written claim under this limited warranty and evidence of the date of purchase or installation, at our option and in our sole discretion, we will provide replacement product with similar or like quality of available product excluding any installation costs. We reserve the right to inspect or investigate any warranty claims prior to determining whether to provide replacement product. If, as determined by us, that repair or replacement of the product is not commercially practicable or cannot be completed in a timely manner, we may refund the prorated purchase price paid for the product upon verification by providing a copy of your invoice or receipt of bill of sale.

*Selkirk products covered under this warranty: AFCL, ALT, BV (SD, MD, LD), CF, DCC, DFS, DSP, DT, DWC, DWS/SWC, E, FC (JSC), EFC, GT, GTL, HT, OV, PL, QC, R, RF, RV, SAF-T LINER, SAF-T PIPE, SC (JM), SFCL, SPR, SPV, ST, SSFL, SSRL, U1, UPP, UT, UTL, VP, WV.

510007 08/22



BUILD FOR THE FUTURE

Customer Service and Support:

Airmate (USA).....	800.992.8368
Airmate (CAN)	888.735.5475
Ameriflow	800.252.8467
Amerivent (Retail).....	800.252.8467
Amerivent (Hearth & Wholesale)	800.423.4270
Amerivent (Support).....	800.748.0392
AMPCO (USA)	800.669.3269
AMPCO (CAN).....	888.735.5475
Duravent	800.835.4429
Hart & Cooley.....	800.433.6341
Hart & Cooley (Support)	800.748.0392
Heatfab (USA).....	800.772.0739
Heatfab (CAN)	800.848.2149
Lima.....	800.423.4270
Milcor	800.774.5240
Portals Plus.....	800.774.5240
RPS.....	800.624.8642
Security Chimney (USA).....	800.361.4909
Security Chimney (CAN)	800.667.3387
Selkirk (USA) Residential	800.992.8368
Selkirk (USA) Commercial.....	800.848.2149
Selkirk (USA) Support.....	800.748.0392
Selkirk (CAN)	888.735.5475

Manufacturing & Distribution Centers:

CANADA	
Nobel, ON	Manufacturing
Laval, QC	Manufacturing
Prescott, ON	Distribution
USA	
Grand Rapids, MI	Center of Excellence
Dallas, TX	Distribution
Englewood, OH	Distribution
Huntsville, AL	Manufacturing & Distribution
Mira Loma, CA	Distribution
Nampa, ID	Manufacturing & Distribution
Turner Falls, MA	Manufacturing & Distribution
Vacaville, CA	Manufacturing
MEXICO	
Ojinaga, MX	Manufacturing
Mexicali, MX	Manufacturing

Corporate Headquarters:

Duravent Group
 28 W. Adams, Suite 1810
 Detroit, MI 48226
 Tel: 800.835.4429
 Email: info@duraventgroup.com
www.duraventgroup.com



duravent[™]
GROUP

BUILD FOR THE FUTURE

www.duraventgroup.com



For warranty information:
Scan this QR code or visit
www.duraventgroup.com/warranties