

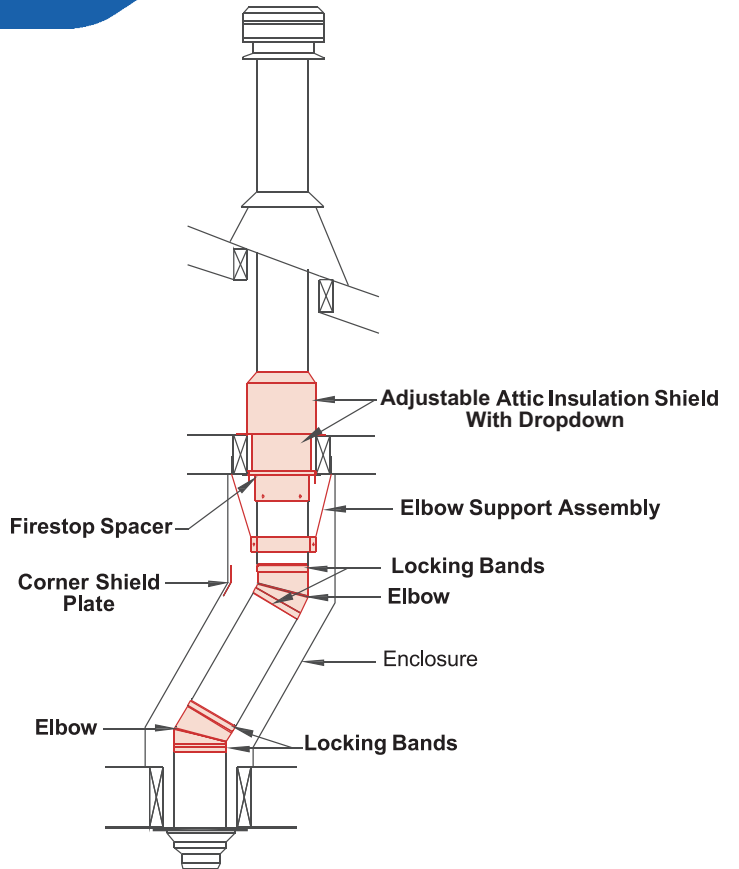


CANADA ONLY

45° ELBOW, ADJUSTABLE ATTIC INSULATION SHIELD WITH DROPDOWN, FIRESTOP SPACER



45° Elbow



Adjustable Attic Insulation Shield With Dropdown

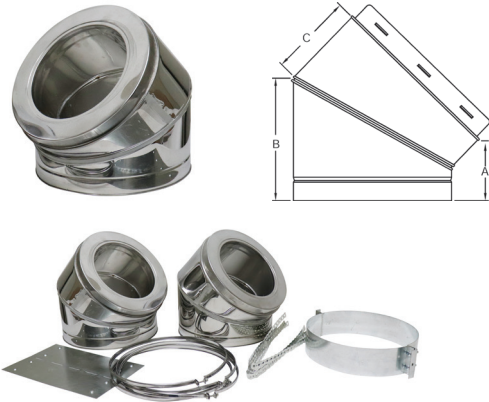


Firestop Spacer - Radiation Joist Shield



Please visit www.selkirkcorp.ca for links to catalogs, submittal, performance data, sizing guides, calculators, brand merchandise, testimonials, and more!

45° ELBOW



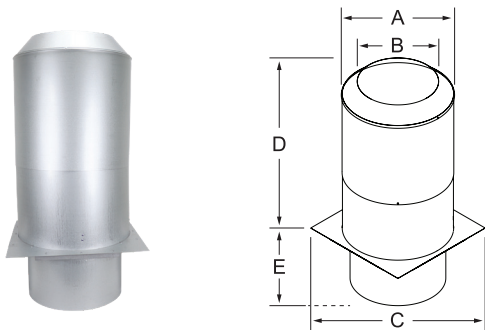
THIS KIT INCLUDES:

- 2 Elbows
- 4 Locking Bands
- 1 Elbow Support
- Corner Shield Plate

- The Insulated Elbow is used when an offset is required.
- Locking Bands must be used on all elbows.
- Offsets cannot be more than 45° off the vertical.
- A maximum of 6 feet is allowable between elbows.
- Elbow is fully insulated and can be used at the same 2" clearance as chimney lengths.
- Elbow support must be used with all offset installations.
- Elbows do not have locking ridges and can be rotated to attain optimum positioning, and allow chimney to return to correct vertical alignment, prior to installing Locking Bands.

Size	A	B	C	Product Code	Pack
45° - 6"	2-1/8"	3-1/8"	2-9/16"	JM6SE4K	2
45° - 7"	2-3/8"	3-3/8"	3"	JM7SE4K	2
45° - 8"	2-9/16"	3-3/4"	3-5/16"	JM8SE4K	2

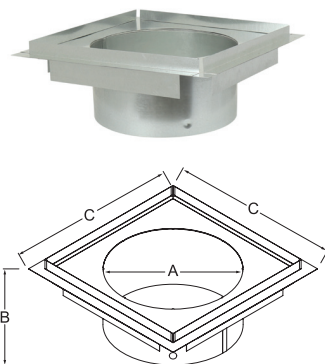
ADJUSTABLE ATTIC INSULATION SHIELD WITH DROPDOWN



- The Adjustable Attic Insulation Shield with Dropdown must be installed where the chimney enters the attic space in any installation.
- Designed to keep insulation away from the chimney and to maintain the mandatory 2" clearance to combustibles.
- Adjustable from 12" to 22".
- Drop down shield protects joist area.

Size	A	B	C	D	E	Product Code	Pack
6"	14"	10-5/16"	16"	12" to 22"	8-1/2"	JM6AAIS	1
7"	15"	11-5/16"	17"	12" to 22"	8-1/2"	JM7AAIS	1
8"	16"	12-5/16"	18"	12" to 22"	8-1/2"	JM8AAIS	1

FIRESTOP SPACER - RADIATION JOIST SHIELD



- Required at all ceiling levels when 45° Elbows are used.
- Serves as a firestop, ensures proper spacing is maintained and provides joist protection.
- Integrated spacers to maintain the mandatory 2" clearance to combustibles.
- Can also be used as an alternate with 15° or 30° Elbows when using an Attic Insulation Shield per instructions.

Size	A	B	C	Product Code	Pack
6"	10-5/16"	6"	13-3/8"	JM6FS	1
7"	11-5/16"	8"	14-3/8"	JM7FS	1
8"	12-5/16"	10"	15-3/8"	JM8FS	1

