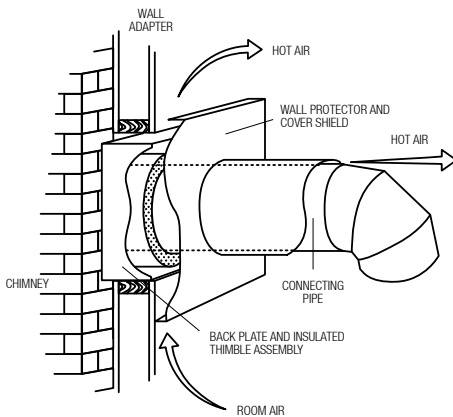


Saf-T Thimble

Installation & Maintenance Instructions

UL Listed Through-the-wall Thimble Assembly




Model # 3006 adapts to 5" and 6" diameter connector pipe.
Model # 3008 adapts to 7" and 8" diameter connector pipe.

The Heat-Fab Saf-T Thimble is intended for use in conjunction with any residential and building heating appliance burning gas, liquid or solid fuels.

The Heat-Fab Saf-T Thimble is an engineered and Listed through-the-wall thimble assembly that reduces the minimum 18 inch clearance to combustibles required by NFPA 211 Standard. The Saf-T Thimble is to be used as a thimble/wall pass thru to connect appliances to interior or exterior masonry chimneys.

A major cause of chimney related fires is failure to maintain required clearances (air space) to combustible materials. It is of utmost importance that the Saf-T Thimble be installed only in accordance with these instructions.

This product is Listed by UNDERWRITERS LABORATORIES, INC.
and bears the Mark: UL 

heatfab[®]

SAFETY FIRST

The instructions provided with the Saf-T Thimble are intended as a guide to assist a qualified professional installer. Check your local building codes and contact local building or fire officials about restrictions and installation requirements in your area.

Inspect the masonry chimney for structural integrity before you install the Saf-T Thimble. Inspect the chimney for loose or eroded mortar, cracks in the masonry, missing bricks, internal obstructions, unused flue holes and excessive creosote formation.

If the chimney needs to be cleaned, a professional certified chimney sweep should be used. In the cases where the chimney system is sized incorrectly, not in compliance with current local building codes or in poor physical condition, then a new lining system should be installed. We recommend our Saf-T Liner designed for relining existing masonry chimneys. Saf-T Liner satisfies code requirements as a substitute for 5/8" fireclay liner and is UL Listed. Go to www.selkirkcorp.com for more information on Saf-T Liner.

The wall protector and cover shield of the Saf-T Thimble should be installed on approved fire retardant sheetrock, millboard, brick or the like.

The Saf-T Thimble must be installed so there are no obstructions below or above the wall protector. The Saf-T Thimble should not be located directly behind a heating appliance (i.e. straight out wall behind appliance).

The Saf-T Thimble must be properly sized for your appliance.

Appliance Flue Collar Diameter	Use Saf-T Thimble Part No.
5"	#3006
6"	#3006
7"	#3008
8"	#3008

CLEARANCE FROM COMBUSTIBLE MATERIALS

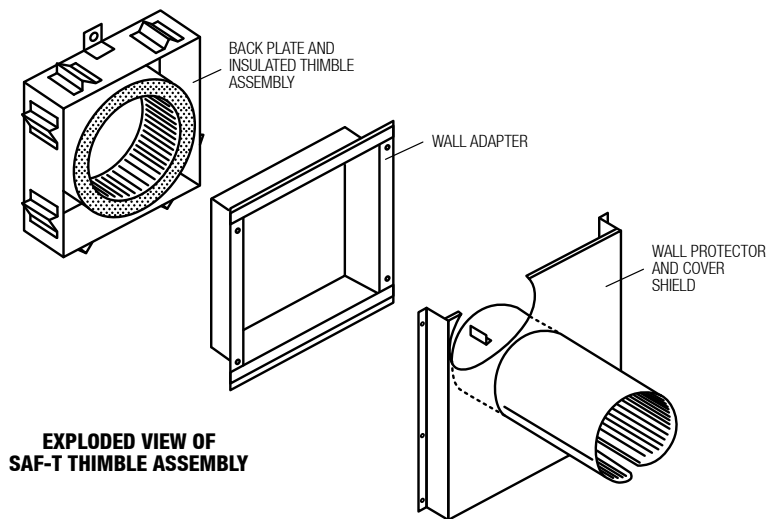
The minimum air space clearance between interior masonry chimneys (which have any portion of the chimney located within the exterior wall of the building) and combustible materials shall be at least 2 inches.

The minimum air space clearance between exterior masonry chimneys (which have the chimney completely outside the exterior wall of the building, excluding the soffit or cornice area) and combustible material shall be at least 1 inch. The air space must be left as air space and shall not be filled.

ASSEMBLY MATERIALS

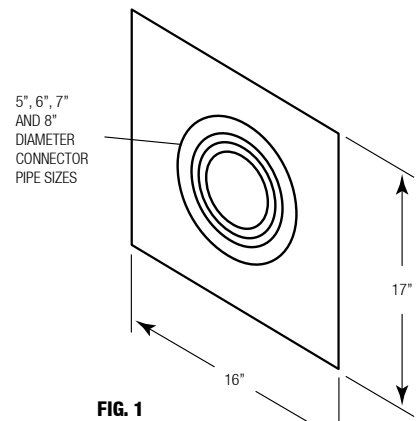
The following tools and supplies are needed to complete the installation of your Saf-T Thimble:

- | | |
|-----------------------------------|--------------|
| Hammer | Screwdriver |
| Silicon Caulking | Tape Measure |
| Saw | Level |
| Masonry Drill Bit (1/4" diameter) | Square |
| Saf-T Thimble Template | |



ASSEMBLY INSTRUCTIONS

1. There are 3 types of installations: (1) where a thimble hole already exists in a properly lined chimney; (2) an installation that requires a new thimble and (3) an installation incorporating a new Listed stainless steel liner system. In all cases, the Saf-T Thimble template will be used. The Template is printed on the carton in which the Saf-T Thimble is packaged. See Fig. 1.
2. Cut the template cleanly along the perforated lines. The template will measure 17" high by 16" wide. This template incorporates the required clearance of 1" for the installation of the back plate. There are four flue sizes marked in the center of the template 5", 6", 7", and 8" diameter. Cut out the required size for your installation.



3. Position the template where the Saf-T Thimble will be located and trace around the template carefully. You will be cutting the interior, as well as the exterior wall so accurate measurements are necessary for a clean installation. In installations where there is an already existing connector pipe, place the template over the connector pipe and trace around the template keeping it level. Remove the connector pipe and now you are ready to cut out the opening in the wall.

CAUTION: Make sure there are no electrical wires or plumbing lines within this section of the wall and proceed to cut the opening for the back plate and insulated thimble assembly. If a wall stud or any other combustible material is encountered within this opening, it must be removed.

Do not frame in until step #10, Fig. 4.

4. In installations where a new flue thimble is required; again take the template with the correct diameter hole for your connector pipe and position the template against the chimney wall. Trace around the template the connector size for your flue thimble installation.

NOTE: The Saf-T Thimble must be installed into a flue opening with structural integrity. A clay thimble is recommended in the masonry chimney in conjunction with the Saf-T Thimble for maximum safety.

5. Using the back plate and insulated thimble assembly as a template position and mark off the hole locations where the two support brackets on the back plate are located. See Fig. 2.
6. Remove the back plate and using a masonry drill bit, drill the two required 1/4" x 1 1/2" deep holes in the masonry.

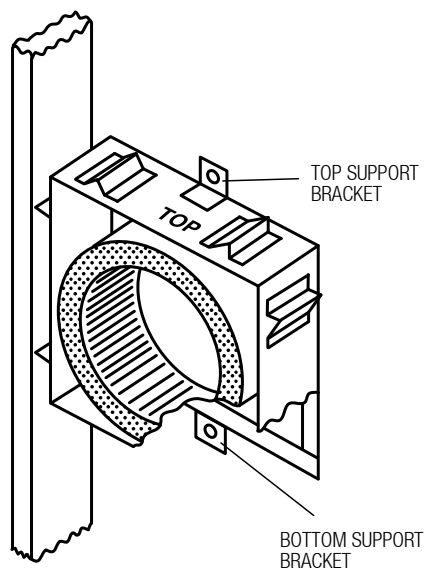


FIG. 2

7. Apply the exterior rated silicon caulking to the back periphery of the back plate. See Fig. 3.
8. Install the back plate and insulated thimble assembly with the side marked top in the up position with the two masonry bolts.
9. If the chimney is constructed with a space beyond the exterior wall of the house, check the outside of the house for weather tightness around the periphery of the back plate. Do not place insulation within this area. Maintain at least 1" air space between the masonry and any combustible material.
10. Appropriate framing and headers must be installed to insure a safe installation of the Saf-T Thimble. See Fig 4.
11. A one inch clearance is held around the periphery of the back plate by the built in spacers. The framing members abutt these spacers.
12. The Saf-T Thimble adjusts to fit 4" - 8 1/2" wall structures. See Fig. 5.
13. The inner stainless steel sleeves that make up the insulated thimble adjust in and out. The insulated thimble is packaged in the full extended position to accommodate a wide wall structure. The insulated thimble must be adjusted so it projects 2 1/2 inches out from the finished interior wall surface.

This will position the thimble flush against the back of the wall protector. When adjusting the insulated thimble **do not remove any insulation**, but lightly compress the insulation into its adjusted position so the insulation is evenly distributed. REMOVAL OF ANY INSULATION WILL VOID HEATFAB'S WARRANTY.

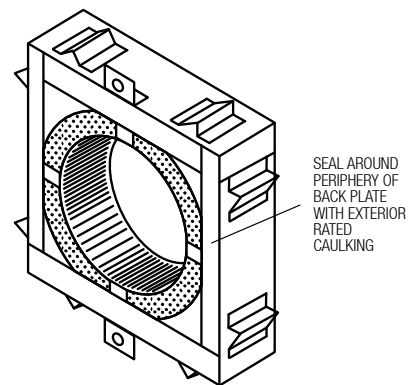


FIG. 3

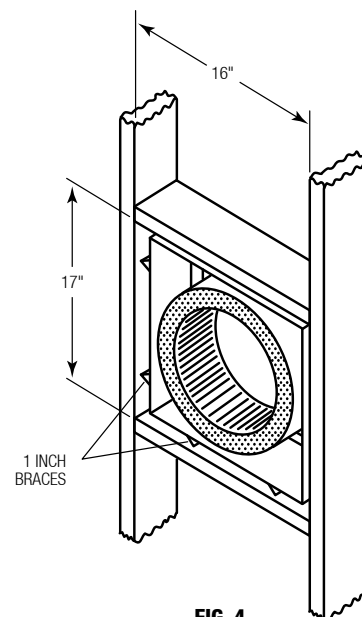


FIG. 4

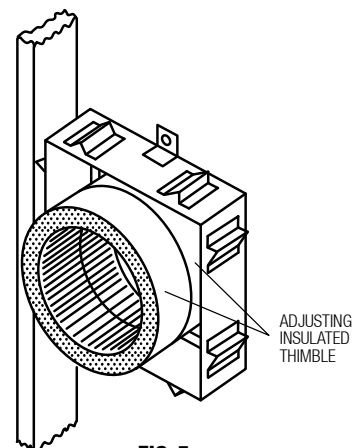


FIG. 5

14. Take the wall adapter assembly and position it so it slides into the back plate and insulated wall thimble assembly. The wall adapter adjusts inside the back plate for 4" thru 8 1/2" wall structures and mounts flush to the framing headers. In wall structures of 6" or more in depth, spacers are required on the framing to secure the wall adapter. Fasten the wall adapter to the framing headers with the four supplied #8 round head wood screws. See Fig. 6.
15. Install the correctly sized connector pipe making sure the connector pipe is of quality construction and capable of withstanding the flue gas temperatures produced by the appliance.

We recommend the 22 gauge Saf-T Pipe or equivalent. A minimum 24 gauge is required by code.

16. Install the wall protector and cover shield so the rear extension of the cover shield slides into the insulated thimble. There are 3 spacers on the rear extension of the cover shield that fit snugly into the insulated thimble to maintain the proper air space clearance. The wall protector and cover shield should now be firmly against the wall structure. Fasten the wall protector to the wall with the 6 supplied #8 round head wood screws. See Fig. 6.

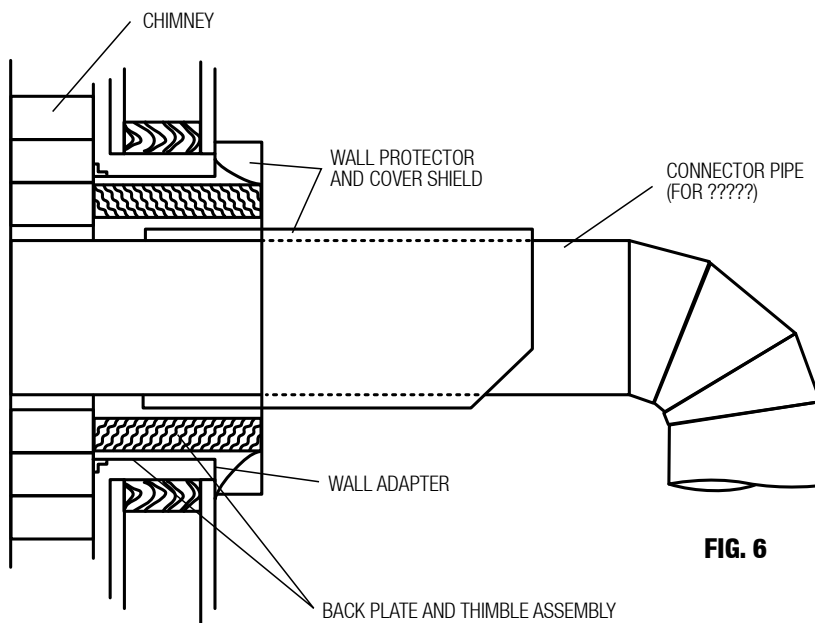


FIG. 6

17. The Saf-T Thimble is now installed and the connector pipe can be attached to your appliance.

CHIMNEY MAINTENANCE

The chimney connector and chimney should be checked frequently during the heating season and cleaned by a professional certified chimney sweep if necessary.

FORMATION OF CREOSOTE AND SOOT AND THE NEED FOR REMOVAL

When wood is burned slowly, it produces tar and other organic vapors, which combine with expelled moisture to form creosote. The creosote vapors condense in the relatively cool flue of a slow-burning fire. The resulting creosote makes for an extremely hot fire.

The chimney should be inspected at least once every two months during the heating season to determine if a creosote or soot buildup has occurred. If creosote or soot buildup has accumulated, it should be removed to reduce the risk of chimney fire.

After cleaning or inspecting the chimney or connector system, check the Saf-T Thimble for secureness of all parts. Make sure the chimney connector is routed to the chimney at the required upward pitch toward the chimney.

Also available from Heat-Fab:

Saf-T Liner
Saf-T Pipe



Selkirk Corporation
5030 Corporate Exchange Blvd. SE
Grand Rapids, MI 49512
Toll Free: 1.800.433.6341

selkirkcorp.com