

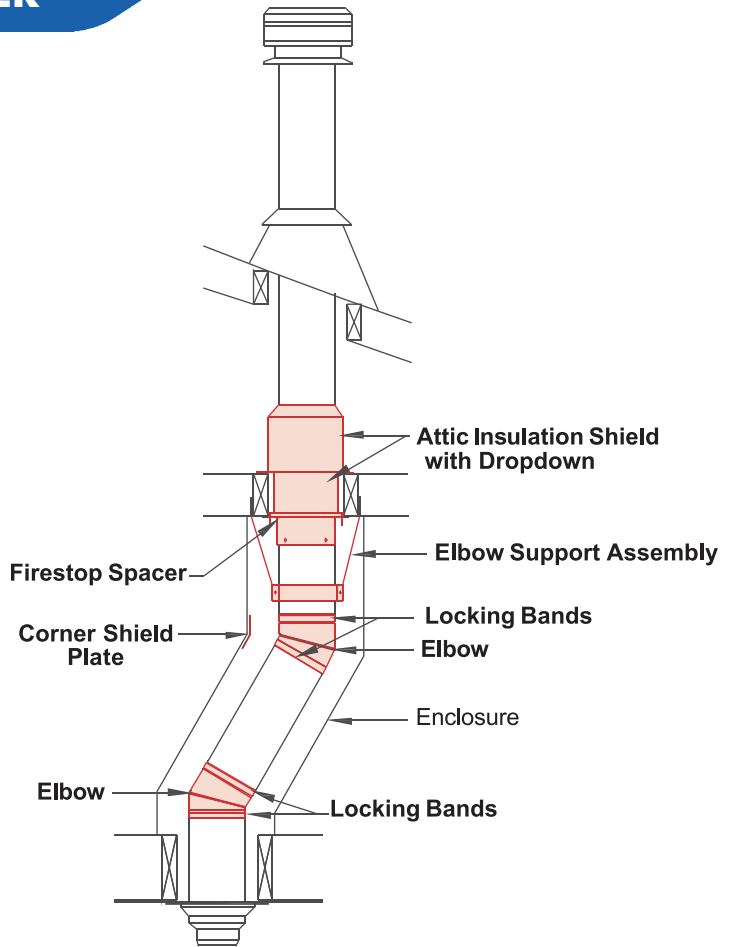
45° ELBOW, ATTIC INSULATION SHIELD WITH DROPDOWN, FIRESTOP SPACER



45° Elbow

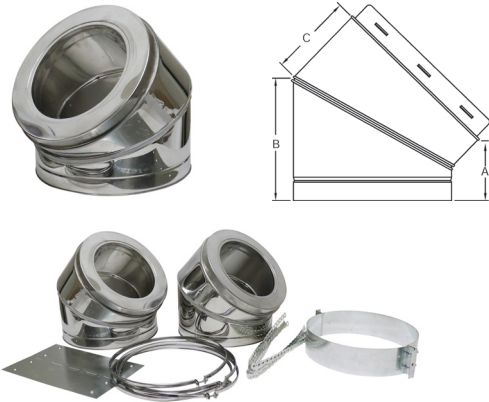


Attic Insulation Shield with Dropdown



FIRESTOP SPACER - RADIATION JOIST SHIELD

45° ELBOW



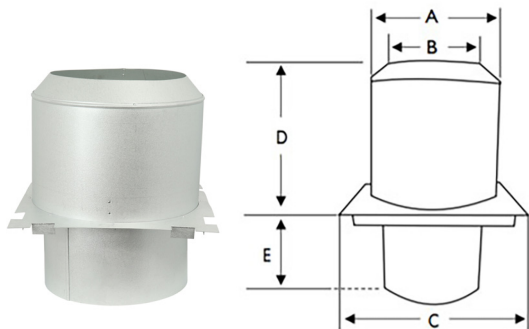
THIS KIT INCLUDES:

- 2 Elbows
- 4 Locking Bands
- 1 Elbow Support
- Corner Shield Plate

- The Insulated Elbow is used when an offset is required
- Locking Bands must be used on all elbows
- Offsets cannot be more than 45° off the vertical
- A maximum of 6 feet is allowable between elbows
- Elbow is fully insulated and can be used at the same 2" clearance as chimney lengths
- Elbow support must be used with all offset installations
- Elbows do not have locking ridges and can be rotated to attain optimum positioning, and allow chimney to return to correct vertical alignment, prior to installing Locking Bands

Size	A	B	C	Product Code	Pack
45° - 6"	2-1/8"	3-1/8"	2-9/16"	ALT6E45K	2
45° - 7"	2-3/8"	3-3/8"	3"	ALT7E45K	2
45° - 8"	2-9/16"	3-3/4"	3-5/16"	JM8SE4K	2

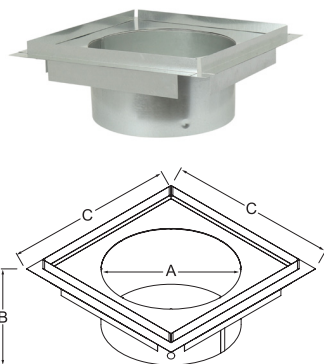
ATTIC INSULATION SHIELD WITH DROPDOWN



- The Attic Insulation Shield with Dropdown must be installed where the chimney enters the attic space in an installation that includes 45 Degree Elbows
- Designed to keep insulation away from the chimney, and to maintain the mandatory 2" clearance to combustibles
- Dropdown shield protects joist area

Size	A	B	C	D	E	Product Code	Pack
6"	14"	10-5/16"	16"	12-3/16"	8-1/2"	JM6AISD	1
7"	15"	11-5/16"	17"	12-3/16"	8-1/2"	JM7AISD	1
8"	16"	12-5/16"	18"	12-3/16"	8-1/2"	JM8AISD	1

FIRESTOP SPACER - RADIATION JOIST SHIELD



- Required at all ceiling levels when 45° Elbows are used.
- Serves as a firestop, ensures proper spacing is maintained and provides joist protection
- Integrated spacers to maintain the mandatory 2" clearance to combustibles
- Can also be used as an alternate with 15° or 30° Elbows when using an Attic Insulation Shield per instructions

Size	A	B	C	Product Code	Pack
6"	10-5/16"	6"	13-3/8"	JM6FS	1
7"	11-5/16"	8"	14-3/8"	JM7FS	1
8"	12-5/16"	10"	15-3/8"	JM8FS	1

